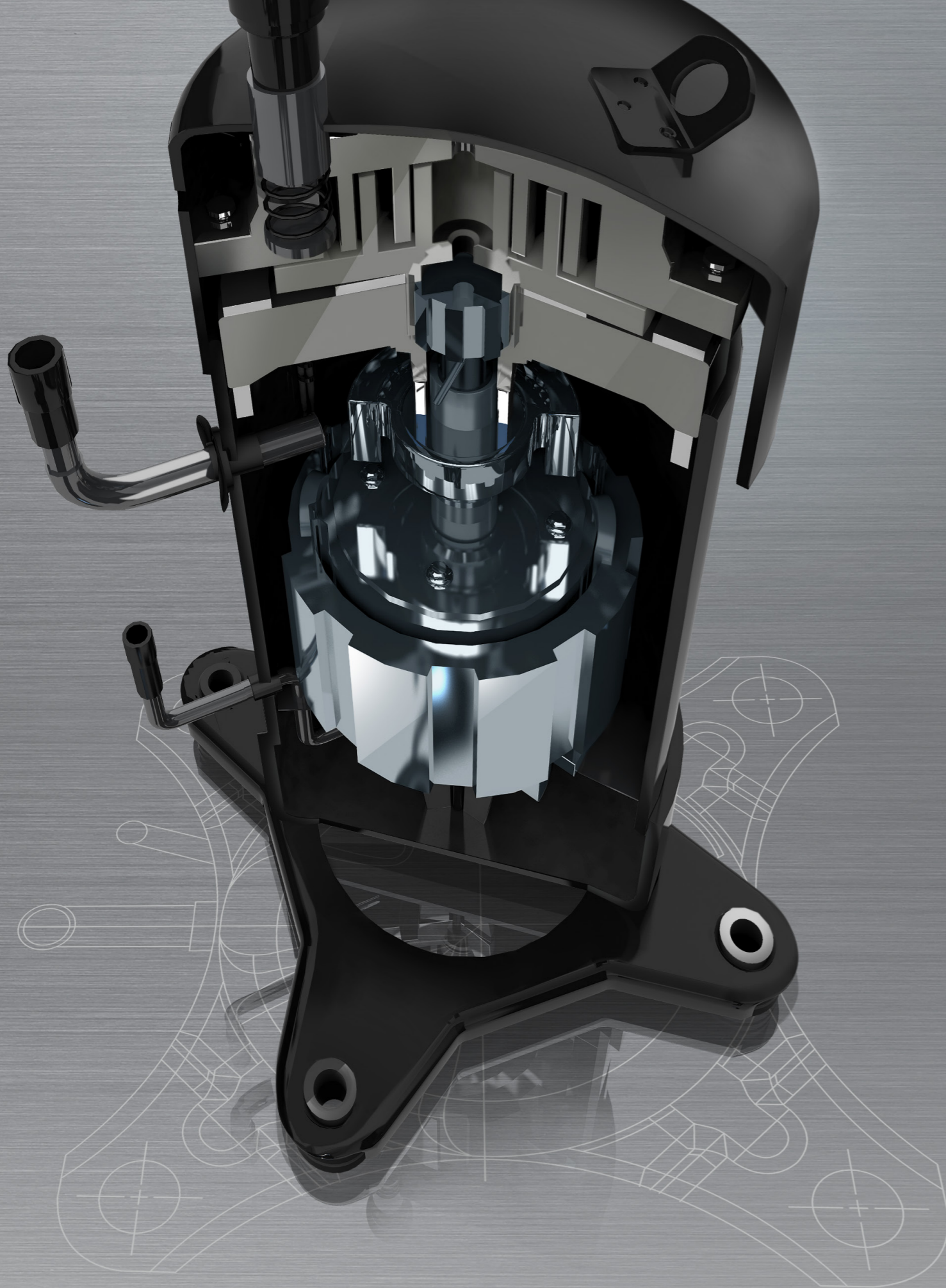


Rotary & Scroll Compressor

Compressor Technology
for Air-Conditioning





Why LG Compressor?

Technology

LG compressors are continuously evolving group of high-precision machining and assembly technologies from accumulated techniques for generating sustainable world best compressor. Especially we are enabling to give our customers technical support in order to provide best performance compressor through design mechanism and produce key technology of compressor, inverter motor and drive that makes you to achieve optimized product.

Quality

With the product quality and safety evaluation system that performs basic quality and safety evaluation for products at every production stage. Under the quality gate system, all our products undergo a safety check at each quality gate based on a checklist, preventing shipments of products with quality or safety issues. We also have achieved recognition our quality and sustainability from Europe, North America, China and Japan.

Model Variety

In order to offer you a various product portfolio of air conditioning compressor, our range covers single, twin, two stage of rotary compressor and low pressure and high pressure of scroll compressor. It enables to provide you with full support in all application of your needs.

Customer Support

LG compressors promise to deliver a satisfaction level for all your business stage from research, development to the spec-in that exceeds our customers expectations, and strives to provide the highest value to our customers through a fast, accurate and differentiated service & solution as your business partner.

Brief History & Factory

Milestones & Production Sites



Contents

Why LG Compressor?	01
Brief History & Factory	02
<hr/>	
Rotary Compressor	06
- Product Range	07
- Nomenclature	07
- Specification Constant speed	08
- Specification Inverter	40
- Specification Drive	42
- Wiring Diagram	44
- Mounting	44
- Accessory Part	45
- Packing & Container Stuffing Quantity	45
<hr/>	
Scroll Compressor	46
- Product Range	47
- Nomenclature	47
- Specification Constant speed	48
- Specification Inverter	60
- Specification Drive	62
- Wiring Diagram	63
- Mounting	63
- Accessory Part	63
- Packing & Container Stuffing Quantity	63



Specification_Constant speed (R410A, 1Piston)

Refrigerant	Type	Frequency	Voltage	Series	Model	Cooling Capacity		Input	EER	COP	Test Condition
						Btu/hr	Watts	Watts	Btu/W.hr	W/W	
R410A	1piston	50Hz	1Φ,220/240V	GA	GA066P	5,270	1,544	555	9.50	2.78	ASHRAE
					GA080P	6,550	1,919	668	9.81	2.87	ASHRAE
					GA086P	7,050	2,066	735	9.59	2.81	ASHRAE
				GAB	GAB040P	3,130	917	340	9.2	2.70	ASHRAE
					GAB042P	3,410	999	355	9.6	2.81	ASHRAE
					GAB048P	3,985	1,168	403	9.9	2.90	ASHRAE
					GAB072P	5,950	1,744	590	10.08	2.95	ASHRAE
				GK	GK086P	6,900	2,022	726	9.50	2.79	ASHRAE
					GK094P	7,700	2,256	794	9.70	2.84	ASHRAE
					GK102P	8,250	2,418	841	9.81	2.87	ASHRAE
					GK113P	9,000	2,637	914	9.85	2.89	ASHRAE
					GK120P	9,700	2,842	1,010	9.60	2.81	ASHRAE
					GK141P	11,350	3,326	1,170	9.70	2.84	ASHRAE
					GK151P	12,200	3,575	1,245	9.80	2.87	ASHRAE
				GKS	GKS094P	7,700	2,256	755	10.20	2.99	ASHRAE
					GKS108P	8,700	2,549	838	10.38	3.04	ASHRAE
					GKS113P	8,750	2,564	920	9.51	2.79	ASHRAE
					GKS134P	10,900	3,194	1,100	9.91	2.90	ASHRAE
					GKS141P	11,500	3,370	1,116	10.30	3.02	ASHRAE
				GJ	GKS151P	12,230	3,584	1,245	9.82	2.88	ASHRAE
					GJ176P	14,400	4,220	1,485	9.70	2.84	ASHRAE
					GJ196P	16,500	4,835	1,705	9.68	2.84	ASHRAE
					GJ208P	17,500	5,128	1,750	10.00	2.93	ASHRAE
					GJ222P	18,500	5,421	1,867	9.91	2.90	ASHRAE
GJ230P	19,100	5,597	1,949	9.80	2.87	ASHRAE					

Note 1 : Figures in the table are subject to change without prior notice for performance improvement.

Note 2 :

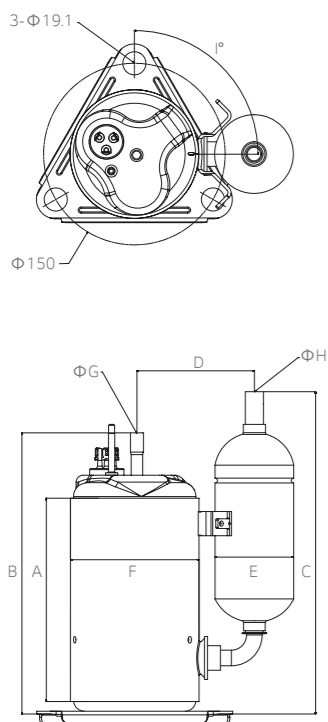
Test condition	Condenser temperature	Evaporation temperature	Suction temperature	Sub cool
ASHRAE	54.4°C	7.2°C	35°C	8.3°C

Dimension							
A	B	C	D	E	F	G	H
194.8	257.7	238.9	89.0	50.8	106.2	8.06	9.7
194.8	257.7	238.9	89.0	50.8	106.2	8.06	9.7
204.2	257.7	238.9	89.0	50.8	106.2	8.06	9.7
182.0	244.9	248.9	85.6	50.8	106.2	8.06	9.7
182.0	244.9	248.9	85.6	50.8	106.2	8.06	9.7
182.0	244.9	248.9	85.6	50.8	106.2	8.06	9.7
188.0	250.9	248.9	85.6	50.8	106.2	8.06	9.7
204.0	274.3	243.6	93.0	50.8	118.2	8.06	9.7
204.0	264.3	243.6	93.0	50.8	118.2	8.06	9.7
204.0	272.3	262.6	109.0	75.0	118.2	8.06	12.8
204.0	265.3	253.6	93.7	50.8	118.2	8.06	9.7
212.0	272.3	253.6	93.0	50.8	118.2	8.06	9.7
212.0	272.3	253.6	103.0	65.0	118.2	8.06	12.8
217.0	277.3	262.6	109.0	75.0	118.2	8.06	12.8
209.0	259.6	238.9	93.0	50.8	118.2	8.06	9.7
214.0	274.6	253.9	93.7	65.0	118.2	8.06	9.7
209.0	259.3	288.6	103.0	65.0	118.2	8.06	12.8
212.0	273.0	263.9	104.0	65.0	118.2	8.06	9.7
212.0	262.3	253.6	104.0	65.0	118.2	8.06	12.8
217.0	268.6	253.6	105.5	65.0	118.2	8.06	12.8
227.0	287.6	257.2	109.0	65.0	127.3	9.70	12.8
218.7	285.8	291.9	109.0	75.0	127.3	9.70	12.8
233.7	309.8	324.9	113.0	75.0	127.3	9.70	12.8
233.7	298.0	324.6	115.5	75.0	127.3	9.70	12.8
233.7	299.3	324.9	114.0	75.0	127.3	9.70	12.8

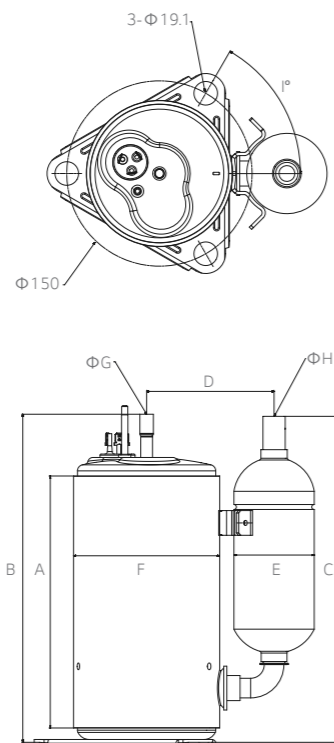
* I : Custom angles are available upon request between 15° and 105°

* C, D, E, ΦG, ΦH : Dimensions may vary according to customer needs.

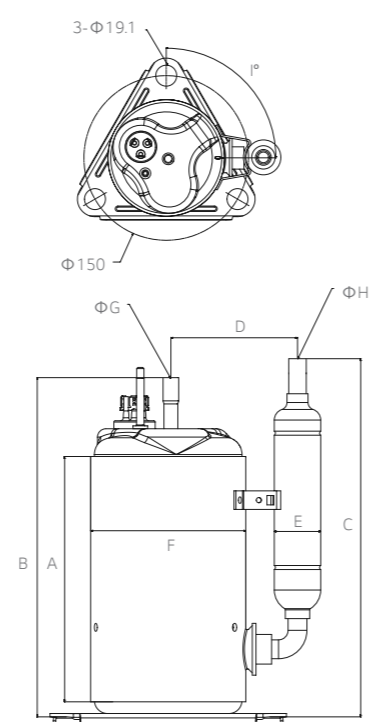
GA



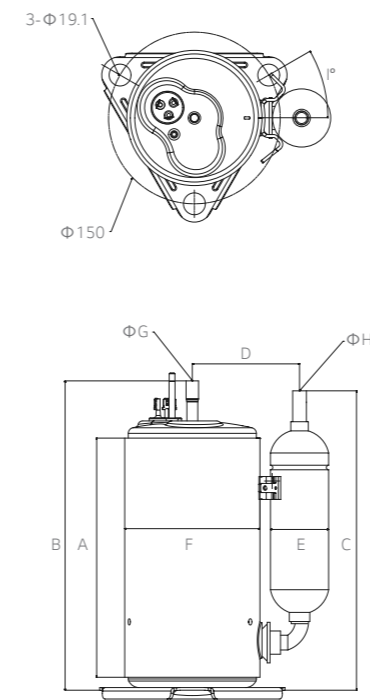
GK



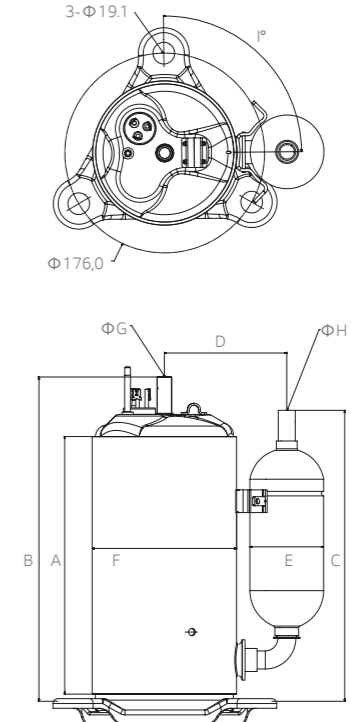
GAB



GKS



GJ



Specification_ Constant speed (R410A, 1Piston)

Refrigerant	Type	Frequency	Voltage	Series	Model	Cooling Capacity		Input	EER	COP	Test Condition	
						Btu/hr	Watts	Watts	Btu/W.hr	W/W		
R410A	1piston	50Hz	1 Φ ,220/240V	GJS	GJS134P	10,120	2,966	1,150	8.80	2.58	ASHRAE	
					GJS208P	16,800	4,923	1,645	10.21	2.99	ASHRAE	
					GJS222P	18,800	5,509	1,825	10.30	3.02	ASHRAE	
					GJS230P	19,000	5,568	1,882	10.10	2.96	ASHRAE	
					GP	GP270P	23,100	6,769	2,330	9.91	2.91	ASHRAE
						GP280P	23,700	6,945	2,370	10.00	2.93	ASHRAE
				GP290P		24,700	7,238	2,470	10.00	2.93	ASHRAE	
				GPS	GPS250P	21,200	6,212	2,038	10.40	3.05	ASHRAE	
					GPS270P	23,200	6,799	2,210	10.50	3.08	ASHRAE	
					GPS280P	23,800	6,974	2,288	10.40	3.05	ASHRAE	
					GPS290P	24,700	7,238	2,375	10.40	3.05	ASHRAE	

Note 1 : Figures in the table are subject to change without prior notice for performance improvement.

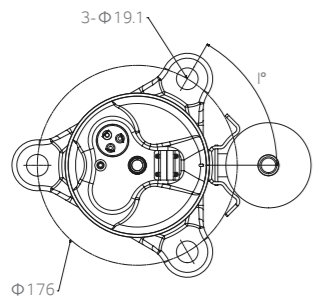
Note 2 :

Test condition	Condenser temperature	Evaporation temperature	Suction temperature	Sub cool
ASHRAE	54.4°C	7.2°C	35°C	8.3°C

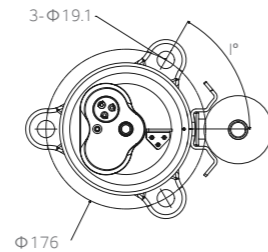
Dimension							
A	B	C	D	E	F	G	H
171.0	213.0	190.5	113.3	75.0	127.3	8.06	9.7
237.0	298.9	288.2	115.5	75.0	127.3	9.70	12.8
237.0	297.2	320.0	113.0	75.0	127.3	9.70	12.8
237.0	298.8	286.4	115.5	75.0	127.3	9.70	12.8
250.0	325.0	340.1	123.1	75.0	145.4	9.70	75.0
250.0	353.3	403.4	132.5	90.0	145.4	9.70	16.0
250.0	353.3	403.4	132.5	90.0	145.4	9.70	16.0
250.0	328.0	361.3	132.5	90.0	145.4	9.70	16.0
250.0	328.0	345.3	123.4	75.0	145.4	9.70	16.0
250.0	328.0	345.3	123.4	75.0	145.4	9.70	16.0
250.0	353.3	383.4	132.5	90.0	145.4	9.70	16.0

* I : Custom angles are available upon request between 15° and 105°
 * C, D, E, Φ G, Φ H : Dimensions may vary according to customer needs.

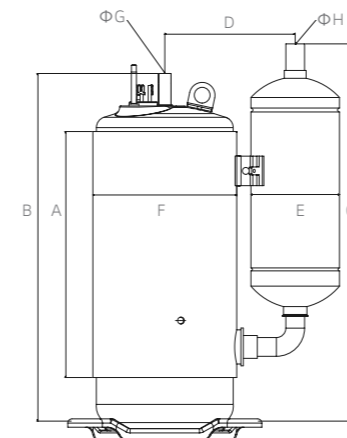
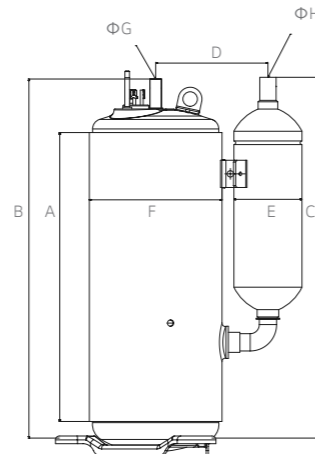
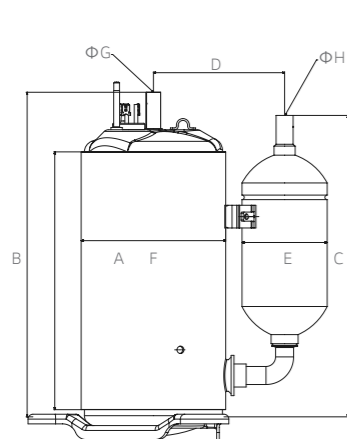
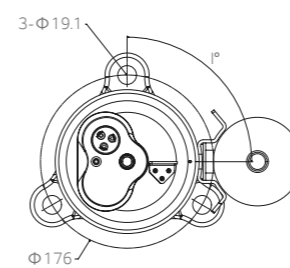
GJS



GP



GPS



Specification_Constant speed (R410A, 1Piston)

Refrigerant	Type	Frequency	Voltage	Series	Model	Cooling Capacity		Input	EER	COP	Test Condition
						Btu/hr	Watts	Watts	Btu/W.hr	W/W	
R410A	单气缸	60Hz	1Φ,115V	GS	GS040C	3,700	1,084	455	8.13	2.38	ASHRAE
					GA048C	4,700	1,377	490	9.59	2.81	ASHRAE
					GA050C	4,950	1,451	495	10.00	2.93	ASHRAE
				GA	GA052C	5,150	1,509	535	9.63	2.82	ASHRAE
					GA053C	5,320	1,559	525	10.13	2.97	ASHRAE
					GA056C	5,550	1,626	555	10.00	2.93	ASHRAE
					GA060C	6,000	1,758	600	10.00	2.93	ASHRAE
					GA066C	6,500	1,905	665	9.77	2.86	ASHRAE
					GA070C	6,950	2,037	688	10.10	2.96	ASHRAE
					GA072C	7,200	2,110	727	9.90	2.90	ASHRAE
					GA086C	8,650	2,535	856	10.11	2.96	ASHRAE
					GA090C	8,900	2,608	918	9.69	2.84	ASHRAE
					GAB	GAB045C	5,280	1,547	406	13.0	3.81
				GAB046C		4,600	1,348	455	10.11	2.96	ASHRAE
				GAB050C		5,880	1,723	446	13.18	3.86	LW
				GAB068C		7,950	2,330	605	13.15	3.85	LW
				GAB070C		7,050	2,066	696	10.13	2.97	ASHRAE
				GAB086C		8,470	2,482	841	10.07	2.95	ASHRAE
				GK	GK080C	8,050	2,359	822	9.79	2.87	ASHRAE
					GK086C	8,600	2,520	869	9.90	2.90	ASHRAE
					GK102C	10,150	2,974	1,036	9.80	2.87	ASHRAE
					GK113C	11,150	3,267	1,126	9.90	2.90	ASHRAE
				GKS	GK141C	14,200	4,161	1,449	9.80	2.87	ASHRAE
					GKS086C	8,700	2,549	845	10.30	3.02	ASHRAE
					GKS094C	9,400	2,755	921	10.21	2.99	ASHRAE
					GKS108C	10,400	3,048	1,040	10.00	2.93	ASHRAE
					GKS110C	10,750	3,150	1,044	10.30	3.02	ASHRAE
					GKS113C	10,950	3,209	1,065	10.28	3.01	ASHRAE
					GKS134C	13,200	3,868	1,294	10.20	2.99	ASHRAE
					GKS141C	14,100	4,132	1,396	10.10	2.96	ASHRAE
GJS	GJS134C	13,200	3,868	1,483	8.90	2.61	ASHRAE				

Note 1 : Figures in the table are subject to change without prior notice for performance improvement.

Note 2 :

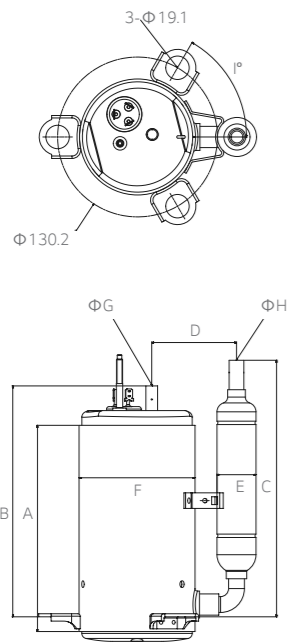
Test condition	Condenser temperature	Evaporation temperature	Suction temperature	Sub cool
ASHRAE	54.4°C	7.2°C	35°C	8.3°C
LW	49°C	10°C	18°C	5°C

Dimension							
A	B	C	D	E	F	G	H
158.0	230.0	179.9	69.0	31.8	94.5	6.53	9.7
181.8	234.7	199.9	87.0	31.8	106.2	6.53	9.7
176.8	254.7	199.9	87.0	31.8	106.2	6.53	9.7
181.8	244.7	199.9	87.0	31.8	106.2	6.53	9.7
197.8	250.7	199.9	87.0	31.8	106.2	6.53	9.7
188.8	251.7	238.9	89.0	50.8	106.2	8.06	9.7
181.8	244.7	199.9	87.0	31.8	106.2	6.53	9.7
191.2	251.7	238.9	89.0	50.8	106.2	8.06	9.7
188.8	251.7	241.9	87.0	31.8	106.2	6.53	9.7
188.8	241.7	206.9	89.0	50.8	106.2	6.53	9.7
194.8	257.7	258.9	89.0	50.8	106.2	8.06	9.7
194.8	257.7	258.9	89.0	50.8	106.2	8.06	9.7
175.2	229.1	196.9	85.5	31.8	106.2	8.06	9.7
182.0	235.9	196.9	86.2	31.8	106.2	6.53	9.7
180.7	243.6	196.9	85.5	31.8	106.2	8.06	9.7
192.2	246.1	238.9	85.5	31.8	106.2	8.06	9.7
191.0	244.9	240.9	86.2	31.8	106.2	6.53	9.7
192.2	246.1	248.9	85.6	50.8	106.2	8.06	12.8
212.0	263.3	253.6	104.0	65.0	118.2	8.06	12.8
212.0	263.3	253.6	104.0	65.0	118.2	8.06	12.8
212.0	258.6	233.6	93.0	50.8	118.2	8.06	9.7
212.0	262.3	283.6	109.0	75.0	118.2	8.06	12.8
217.0	277.3	253.6	93.0	50.8	118.2	8.06	12.8
209.0	259.3	251.6	103.0	65.0	118.2	8.06	12.8
212.0	260.3	251.6	93.7	50.8	118.2	8.06	9.7
207.0	257.3	248.6	93.0	50.8	118.2	8.06	9.7
227.8	260.3	251.6	93.7	50.8	118.2	8.06	9.7
207.0	260.3	251.6	93.7	50.8	118.2	8.06	9.7
212.0	263.3	253.6	93.7	50.8	118.2	8.06	9.7
217.0	290.3	245.6	109.6	75.0	118.2	9.70	12.8
171.0	213.0	190.5	113.0	75.0	127.3	8.06	9.7

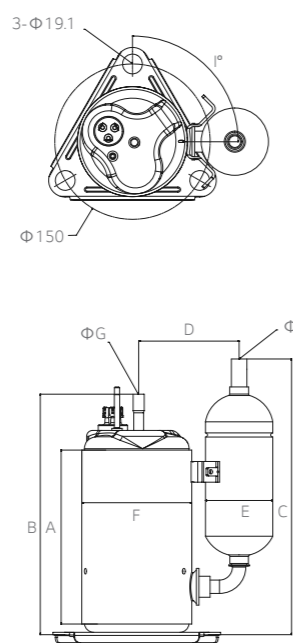
* I : Custom angles are available upon request between 15° and 105°

* C, D, E, ΦG, ΦH : Dimensions may vary according to customer needs.

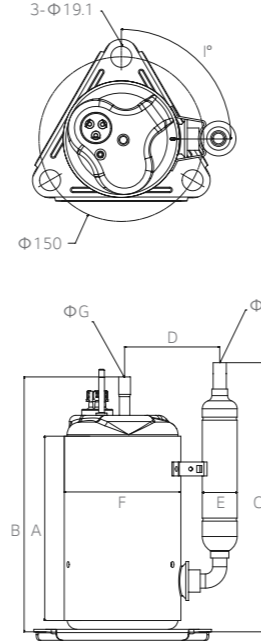
GS



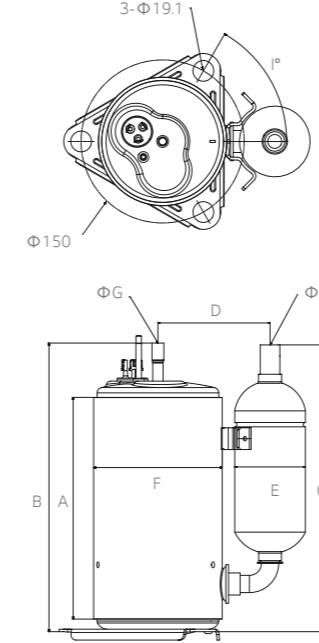
GA



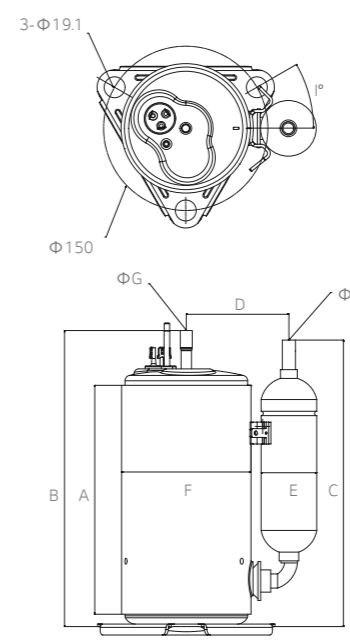
GAB



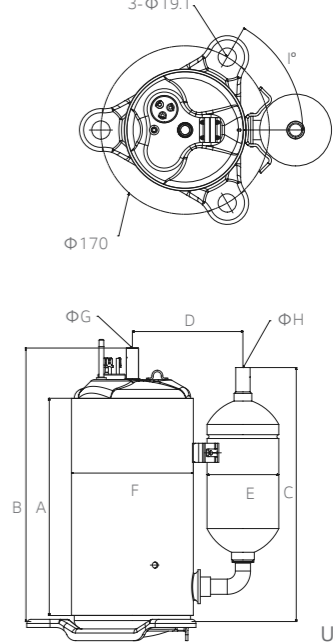
GK



GKS



GJS



Unit : mm

Specification_Constant speed (R410A, 1Piston)

Refrigerant	Type	Frequency	Voltage	Series	Model	Cooling Capacity		Input	EER	COP	Test Condition
						Btu/hr	Watts	Watts	Btu/W.hr	W/W	
R410A	1piston	60Hz	1 ϕ ,208-230V	GA	GA060K	5,900	1,729	595	9.92	2.91	ASHRAE
					GA066K	6,400	1,875	665	9.62	2.82	ASHRAE
					GA080K	7,900	2,315	790	10.00	2.93	ASHRAE
				GK	GK080K	8,050	2,359	805	10.00	2.93	ASHRAE
					GK094K	9,400	2,755	949	9.91	2.90	ASHRAE
					GK102K	10,150	2,974	1,015	10.00	2.93	ASHRAE
					GK113K	11,100	3,253	1,120	9.91	2.90	ASHRAE
					GK120K	12,100	3,546	1,222	9.90	2.90	ASHRAE
					GK134K	13,250	3,883	1,338	9.90	2.90	ASHRAE
					GK141K	14,200	4,161	1,434	9.90	2.90	ASHRAE
					GK151K	15,400	4,513	1,556	9.90	2.90	ASHRAE
				GKS	GKS086K	8,700	2,549	837	10.39	3.05	ASHRAE
					GKS094K	9,150	2,681	897	10.20	2.99	ASHRAE
					GKS113K	11,050	3,238	1,055	10.47	3.07	ASHRAE
					GKS120K	12,100	3,546	1,163	10.40	3.05	ASHRAE
					GKS134K	13,500	3,956	1,336	10.10	2.96	ASHRAE
					GKS141K	14,100	4,132	1,396	10.10	2.96	ASHRAE
				GKU	GKU086K	8,640	2,532	823	10.50	3.08	ASHRAE
					GKU113K	11,250	3,297	1,071	10.50	3.08	ASHRAE

Note 1 : Figures in the table are subject to change without prior notice for performance improvement.

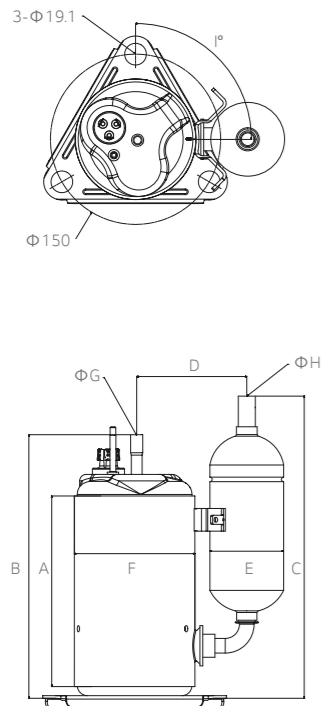
Note 2 :

Test condition	Condenser temperature	Evaporation temperature	Suction temperature	Sub cool
ASHRAE	54.4°C	7.2°C	35°C	8.3°C

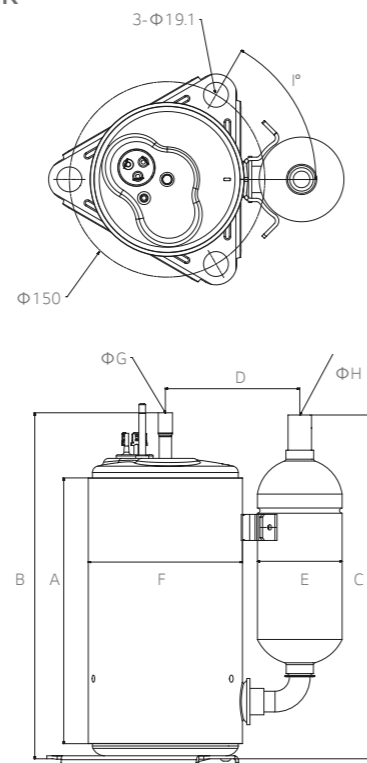
Dimension							
A	B	C	D	E	F	G	H
190.8	258.7	265.9	96.0	65.0	106.2	8.06	9.7
188.8	251.7	238.9	89.0	50.8	106.2	8.06	9.7
188.8	251.7	238.9	89.0	50.8	106.2	8.06	9.7
204.0	254.3	253.6	103.0	65.0	118.2	8.06	12.8
204.0	254.3	253.6	103.0	65.0	118.2	8.06	12.8
204.2	255.3	253.6	104.0	65.0	118.2	8.06	12.8
204.2	255.3	253.6	104.0	65.0	118.2	8.06	12.8
212.0	263.3	262.6	109.6	75.0	118.2	8.06	12.8
212.0	263.3	262.6	109.6	75.0	118.2	8.06	12.8
212.0	271.0	270.4	109.6	75.0	118.2	8.06	12.8
217.0	278.3	262.6	109.6	75.0	118.2	8.06	12.8
209.0	259.3	251.6	103.0	65.0	118.2	9.70	12.8
207.0	267.6	258.9	93.7	50.8	118.2	8.06	9.7
207.0	260.3	251.6	104.0	65.0	118.2	8.06	9.7
209.0	259.3	251.6	103.0	65.0	118.2	8.06	12.8
212.0	263.0	253.6	103.0	65.0	118.2	8.06	12.8
212.0	273.0	245.6	109.0	75.0	118.2	9.70	12.8
239.0	289.3	251.6	103.0	65.0	118.2	8.06	12.8
239.0	289.3	251.6	103.0	65.0	118.2	8.06	12.8

* I : Custom angles are available upon request between 15° and 105°
 * C, D, E, Φ G, Φ H : Dimensions may vary according to customer needs.

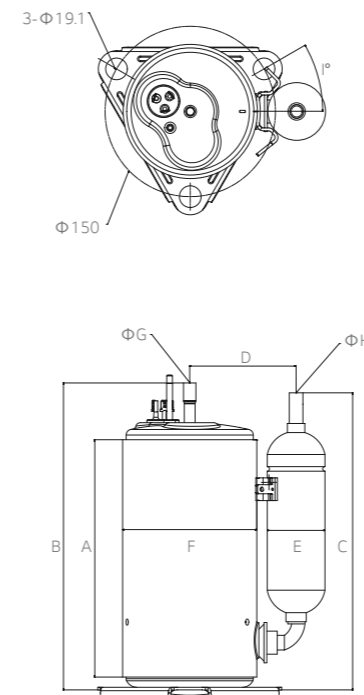
GA



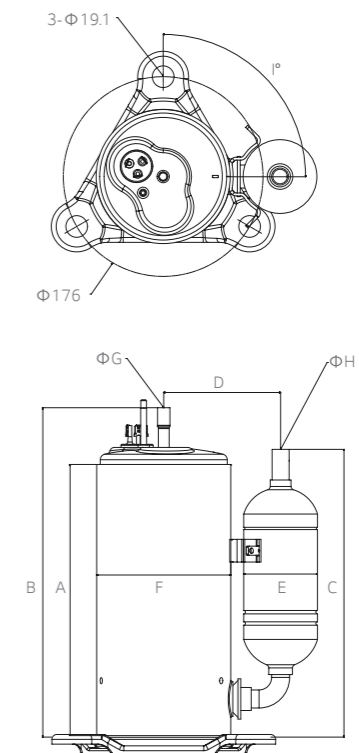
GK



GKS



GKU



Specification_Constant speed (R410A, 1Piston)

Refrigerant	Type	Frequency	Voltage	Series	Model	Cooling Capacity		Input	EER	COP	Test Condition
						Btu/hr	Watts	Watts	Btu/W.hr	W/W	
R410A	单气缸	60Hz	1Φ,208-230V	GJ	GJ160K	16,250	4,762	1,600	10.16	2.98	ASHRAE
					GJ176K	18,050	5,289	1,775	10.17	2.98	ASHRAE
					GJ208K	21,700	6,359	2,170	10.00	2.93	ASHRAE
					GJ230K	24,000	7,033	2,400	10.00	2.93	ASHRAE
				GJS	GJS151K	15,400	4,513	1,495	10.30	3.02	ASHRAE
					GJS160K	15,800	4,630	1,540	10.26	3.01	ASHRAE
					GJS176K	18,200	5,333	1,733	10.50	3.08	ASHRAE
				GVS	GVS208K	20,450	5,994	2,045	10.0	2.93	ASHRAE
					GVS240K	23,750	6,961	2,318	10.25	3.00	ASHRAE
				GP	GP290K	31,400	9,201	3,078	10.20	2.99	ASHRAE
				GPS	GPS230K	23,700	6,945	2,301	10.30	3.02	ASHRAE

Note 1 : Figures in the table are subject to change without prior notice for performance improvement.

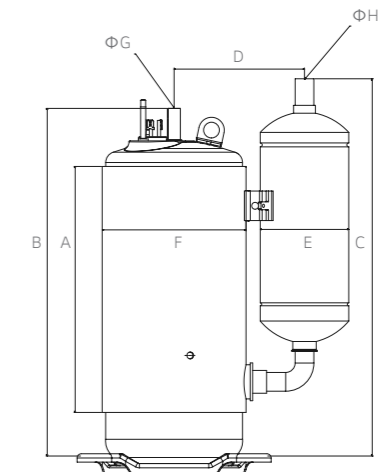
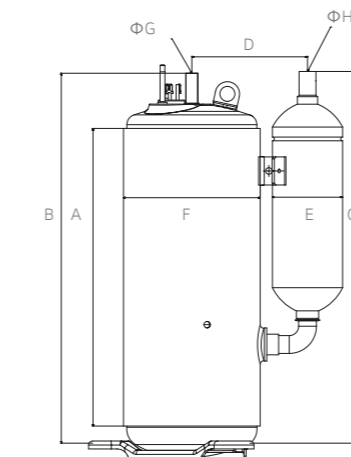
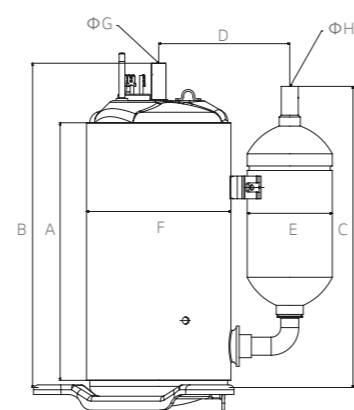
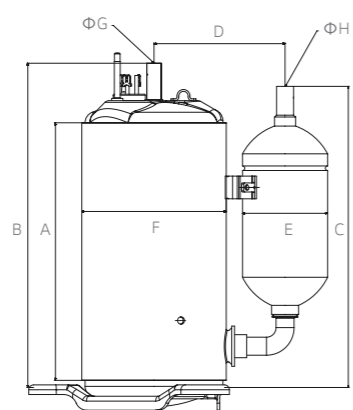
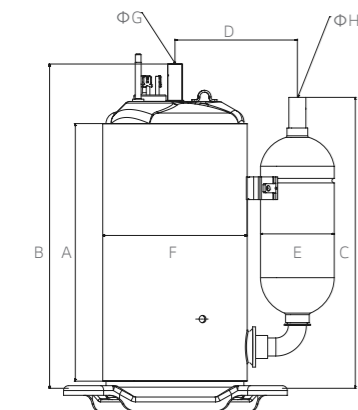
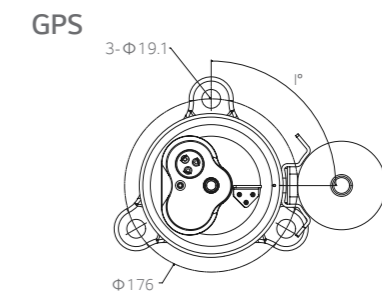
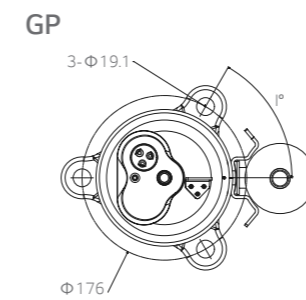
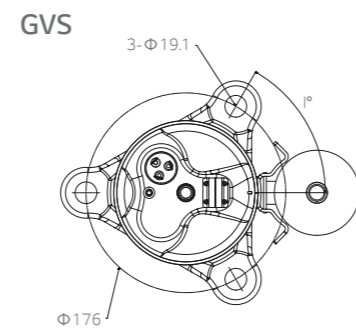
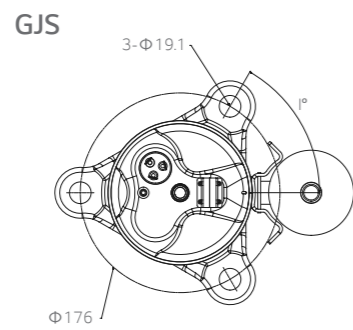
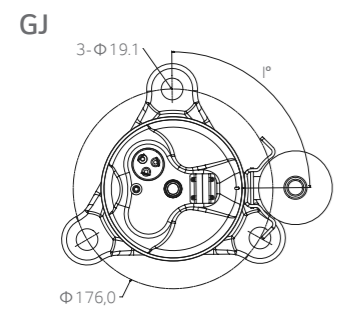
Note 2 :

Test condition	Condenser temperature	Evaporation temperature	Suction temperature	Sub cool
ASHRAE	54.4°C	7.2°C	35°C	8.3°C

Dimension							
A	B	C	D	E	F	G	H
237.0	297.8	287.4	113.0	75.0	127.3	9.70	12.8
237.0	297.8	287.4	113.0	75.0	127.3	9.70	12.8
227.0	292.6	262.2	109.0	65.0	127.3	9.70	16.0
233.7	315.3	286.9	113.0	75.0	127.3	9.70	12.8
227.0	284.8	264.4	115.5	75.0	127.3	9.70	12.8
242.0	303.1	308.2	113.8	75.0	127.3	9.70	12.8
227.0	284.8	264.8	115.5	75.0	127.3	9.70	12.8
271.7	344.8	336.7	118.5	75.0	138.5	9.70	16.0
271.7	344.8	336.7	118.5	75.0	138.5	9.70	16.0
239.0	316.0	357.0	132.5	90.0	145.4	9.70	16.0
250.0	356.3	370.4	123.4	75.0	145.4	9.70	16.0

* I : Custom angles are available upon request between 15° and 105°

* C, D, E, ΦG, ΦH : Dimensions may vary according to customer needs.



Specification_Constant speed (R410A, 1Piston)

Refrigerant	Type	Frequency	Voltage	Series	Model	Cooling Capacity		Input	EER	COP	Test Condition
						Btu/hr	Watts	Watts	Btu/W.hr	W/W	
R410A	1piston	60Hz	1Φ,265V	GA	GA066Q	6,350	1,861	660	9.62	2.82	ASHRAE
					GA080Q	7,800	2,286	804	9.70	2.84	ASHRAE
				GK	GK080Q	8,150	2,388	858	9.50	2.78	ASHRAE
					GK102Q	10,150	2,974	1,036	9.80	2.87	ASHRAE
					GK120Q	12,100	3,546	1,260	9.60	2.81	ASHRAE
					GK141Q	14,200	4,161	1,449	9.80	2.87	ASHRAE
					GK151Q	15,400	4,513	1,525	10.10	2.96	ASHRAE
				GKS	GKS086Q	8,800	2,579	846	10.40	3.05	ASHRAE
					GKS113Q	11,250	3,297	1,103	10.20	2.99	ASHRAE
					GKS120Q	12,100	3,546	1,175	10.30	3.02	ASHRAE
					GKS141Q	14,200	4,161	1,406	10.10	2.96	ASHRAE
				GKU	GKU086Q	8,850	2,593	843	10.50	3.08	ASHRAE
					GKU113Q	11,250	3,297	1,082	10.40	3.05	ASHRAE
				GJS	GJS151Q	15,400	4,513	1,495	10.30	3.02	ASHRAE
GJS176Q	17,700	5,187	1,735		10.20	2.99	ASHRAE				

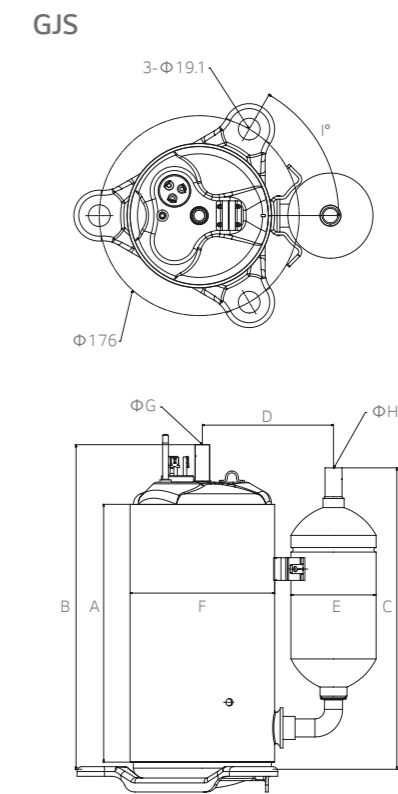
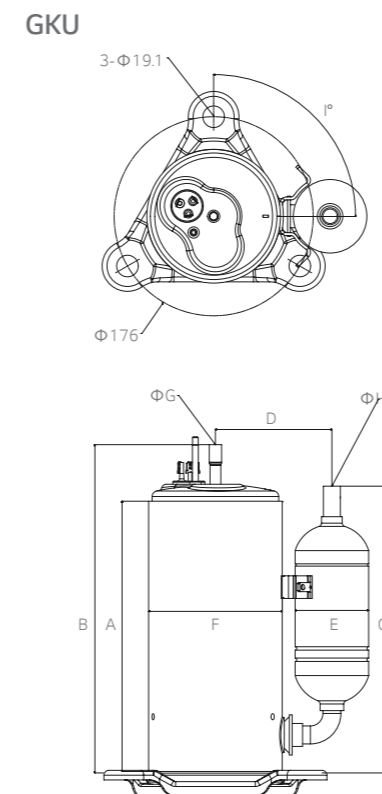
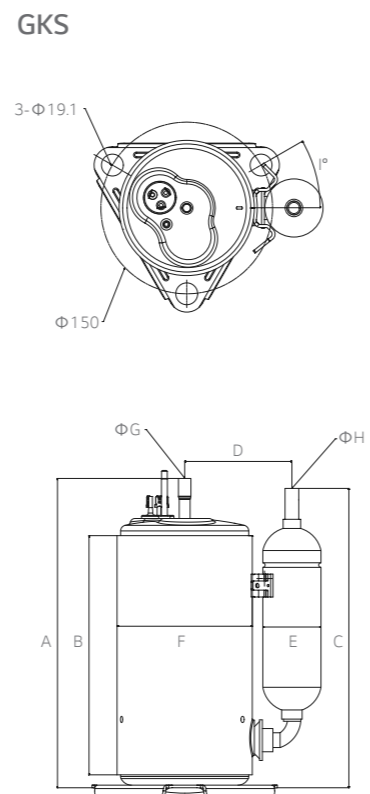
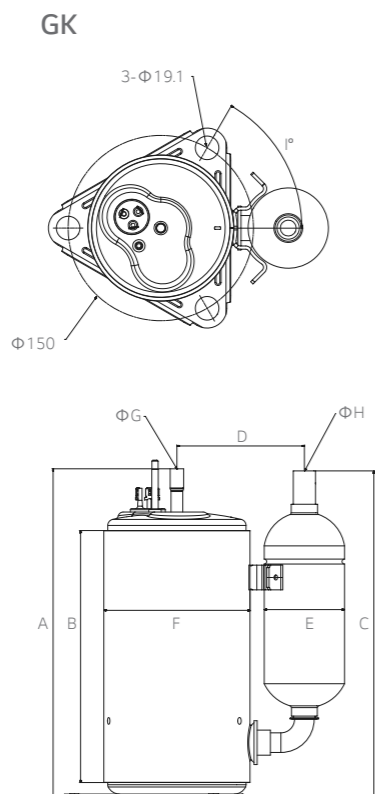
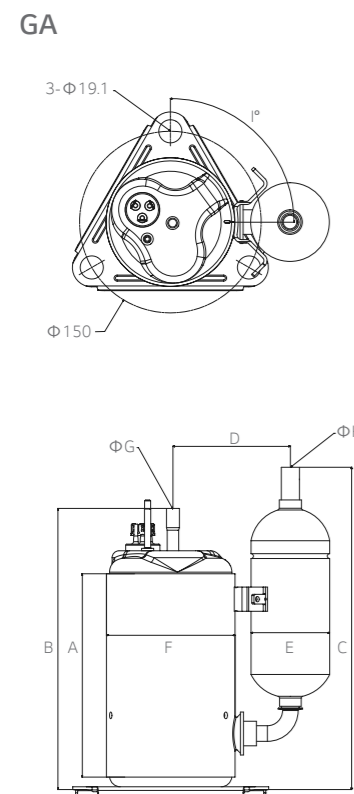
Note 1 : Figures in the table are subject to change without prior notice for performance improvement.

Note 2 :

Test condition	Condenser temperature	Evaporation temperature	Suction temperature	Sub cool
ASHRAE	54.4°C	7.2°C	35°C	8.3°C

Dimension							
A	B	C	D	E	F	G	H
188.8	251.7	238.9	89.0	50.8	106.2	8.06	9.7
188.8	251.7	238.9	89.0	50.8	106.2	8.06	9.7
204.0	255.3	253.6	104.0	65.0	118.2	8.06	12.8
204.0	255.3	253.6	104.0	65.0	118.2	8.06	12.8
212.0	262.3	262.6	109.0	75.0	118.2	8.06	12.8
212.0	262.3	262.6	109.0	75.0	118.2	8.06	12.8
212.0	272.3	262.6	109.0	75.0	118.2	8.06	12.8
209.0	259.3	251.6	103.0	65.0	118.2	8.06	12.8
209.0	259.3	251.6	103.0	65.0	118.2	8.06	12.8
209.0	259.3	251.6	103.0	65.0	118.2	8.06	12.8
212.0	263.0	262.6	109.0	75.0	118.2	8.06	12.8
239.0	289.3	251.6	103.0	65.0	118.2	8.06	12.8
239.0	289.3	251.6	103.0	65.0	118.2	8.06	12.8
227.0	287.0	266.0	113.0	75.0	127.3	9.70	12.8
227.0	287.0	266.0	109.0	75.0	127.3	9.70	12.8

* I : Custom angles are available upon request between 15° and 105°
 * C, D, E, ΦG, ΦH : Dimensions may vary according to customer needs.



Specification_Constant speed (R410A, R407C / 1Piston, 2Piston)

Refrigerant	Type	Frequency	Voltage	Series	Model	Cooling Capacity		Input	EER	COP	Test Condition
						Btu/hr	Watts	Watts	Btu/W.hr	W/W	
R410A	双气缸	60Hz	1Φ, 208-230V	GPT	GPT330K	33,750	9,892	3,515	9.6	2.81	ASHRAE
					GPT330P	28,300	8,293.0	2,748	10.30	3.02	ASHRAE
					GPT407P	34,800	10,197.8	3,551	9.80	2.87	ASHRAE
		50Hz	1Φ, 220/240V	GPT330Y	27,200	7,970.7	2,775	9.80	2.87	ASHRAE	
				GJT	GJT160K	16,000	4,688.6	1,584	10.10	2.96	ASHRAE
					GPT290K	29,300	8,586.1	3,117	9.40	2.75	ASHRAE
R32	单气缸	60Hz	1Φ, 115V	DAB	DAB065C	7,380	2,163	620	11.9	3.49	ASHRAE
					DAB080C	9,238	2,708	764	12.09	3.54	ASHRAE
					DKS	DKS108C	11,800	3,458	968	12.19	3.57
			1Φ, 208-230V	DVH	DVH151K	17,920	5,252	1,400	12.8	3.75	LW
					DVH218K	27,050	7,928	2,041	13.25	3.88	LW
					DVH225K	27,900	8,177	2,098	13.3	3.90	LW
R407C	单气缸	50Hz	1Φ, 220/240V	NK	NK125P	7,300	2,139.2	709	10.30	3.02	ASHRAE
					NK134P	7,900	2,315.0	752	10.51	3.08	ASHRAE
					NK185P	8,000	2,344.3	727	11.00	3.22	ASHRAE
					NK164P	9,700	2,842.5	923	10.51	3.08	ASHRAE
				NJ	NJ208P	12,400	3,634.1	1,181	10.50	3.08	ASHRAE
					NJ236P	14,200	4,161.6	1,340	10.60	3.11	ASHRAE
					NJ282P	16,800	4,923.6	1,605	10.47	3.07	ASHRAE
				NP	NP348P	21,000	6,154.5	2,000	10.50	3.08	ASHRAE
					NP362P	21,900	6,418.2	2,086	10.50	3.08	ASHRAE
					NP407P	25,000	6,301.0	2,404	10.40	2.62	ASHRAE

Note 1 : Figures in the table are subject to change without prior notice for performance improvement.

Note 2 :

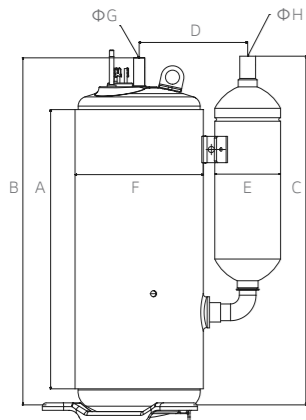
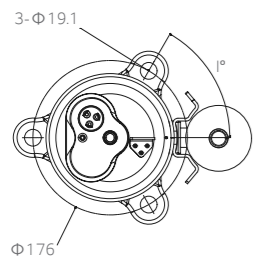
Test condition	Condenser temperature	Evaporation temperature	Suction temperature	Sub cool
ASHRAE	54.4°C	7.2°C	35°C	8.3°C
LW	49°C	10°C	18°C	5°C

Dimension							
A	B	C	D	E	F	G	H
290.9	395.0	397.0	124.0	75.0	146.2	12.80	16.0
281.9	388.2	414.6	132.0	90.0	145.4	9.70	16.0
309.3	387.0	414.0	132.0	90.0	145.4	9.70	16.0
318.3	396.0	414.0	132.0	90.0	145.4	9.70	16.0
271.1	328.9	320.9	115.5	75.0	127.3	9.70	16.0
270.9	376.2	414.1	132.0	90.0	145.4	9.70	16.0
192.2	246.1	238.9	85.5	31.8	106.2	8.06	9.7
192.2	246.1	208.9	85.6	50.8	106.2	8.06	12.8
212.0	263.9	248.9	98.5	50.8	117.7	8.06	12.8
260.7	330.8	327.2	119.4	75.0	138.5	9.70	16.0
265.7	335.8	332.2	119.4	75.0	138.5	9.70	16.0
265.7	335.8	332.2	119.4	75.0	138.5	9.70	16.0
204.0	275.3	243.6	93.7	50.8	118.2	8.06	9.7
204.0	274.3	243.6	93.0	50.8	118.2	6.53	9.7
215.0	276.3	262.6	109.6	75.0	118.2	8.06	12.8
212.0	282.3	243.6	93.0	50.8	118.2	8.06	9.7
217.0	274.8	255.4	115.5	65.0	127.3	9.70	12.8
227.0	284.8	264.4	115.5	75.0	127.3	9.70	12.8
223.7	282.5	266.5	115.5	75.0	127.3	9.70	12.8
239.0	316.3	341.4	123.8	75.0	145.4	9.70	12.8
239.0	316.3	341.4	123.8	75.0	145.4	9.70	12.8
239.0	316.3	331.3	123.8	75.0	145.4	9.70	16.0

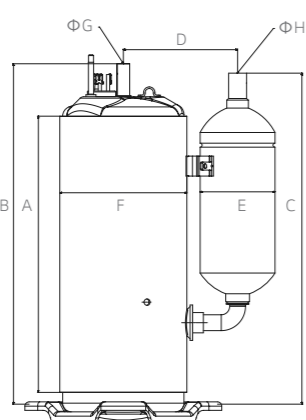
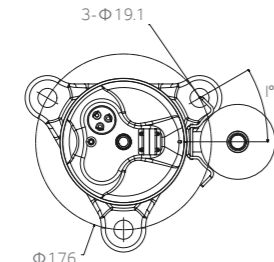
* I : Custom angles are available upon request between 15° and 105°

* C, D, E, ΦG, ΦH : Dimensions may vary according to customer needs.

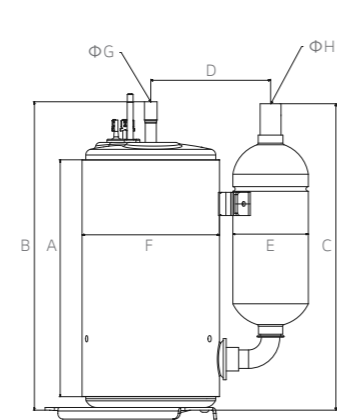
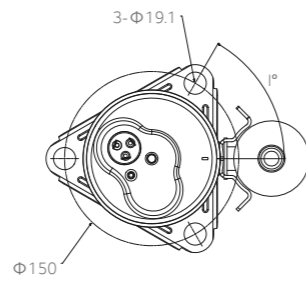
GPT



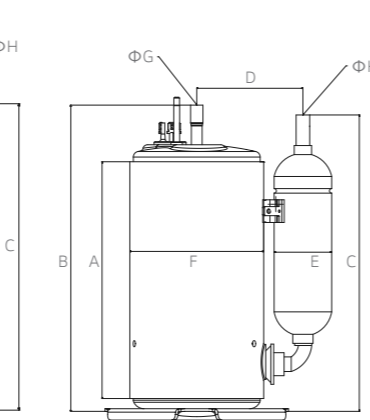
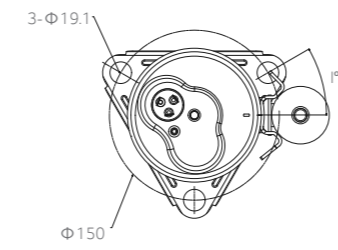
GJT



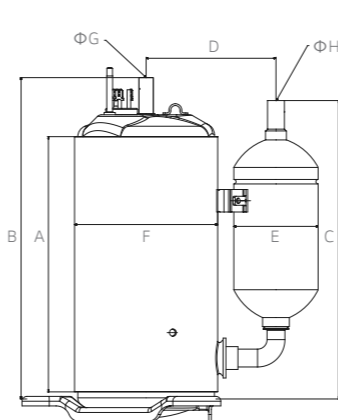
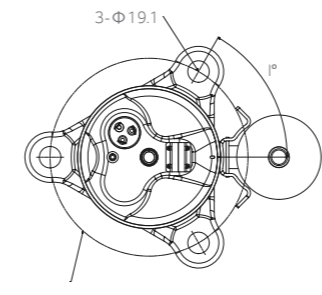
DAB



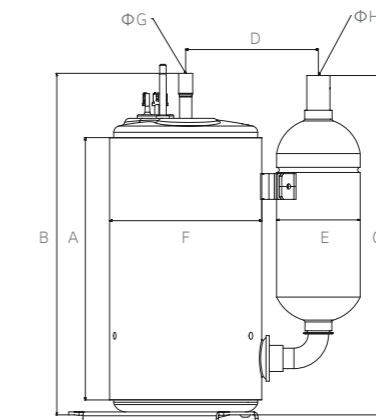
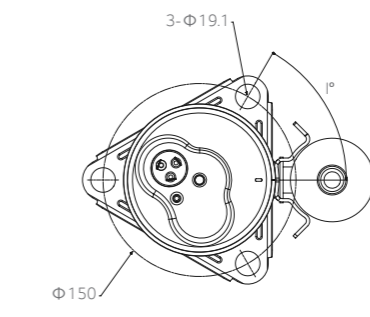
DKS



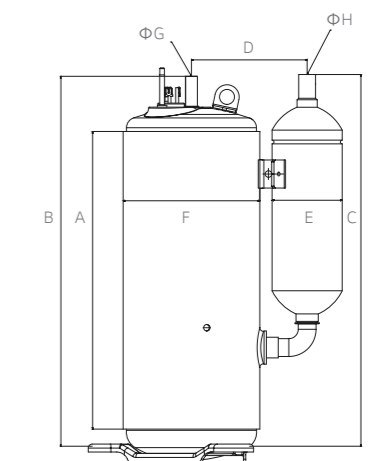
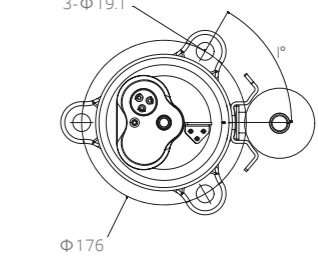
DVH



NK / NJ



NP



Unit : mm

Specification_Constant speed (R22, 1Piston)

Refrigerant	Type	Frequency	Voltage	Series	Model	Cooling Capacity		Input	EER	COP	Test Condition	
						Btu/hr	Watts	Watts	Btu/W.hr	W/W		
R22	单气缸	50Hz	1Φ,200/220V	QK	QK114J	6,500	1,905	619	10.50	3.08	ASHRAE	
					QK125J	7,000	2,051	667	10.49	3.08	ASHRAE	
					QK156J	9,000	2,637	840	10.71	3.14	ASHRAE	
					QK164J	9,550	2,799	945	10.11	2.96	ASHRAE	
					QK189J	10,950	3,209	1,025	10.68	3.13	ASHRAE	
					QK208J	12,100	3,546	1,140	10.61	3.11	ASHRAE	
				QKS	QK222J	12,750	3,736	1,220	10.45	3.06	ASHRAE	
					QKS164J	9,150	2,681	845	10.83	3.17	ASHRAE	
					QK145H	8,400	2,462	785	10.70	3.14	ASHRAE	
					QK164H	9,550	2,799	892	10.71	3.14	ASHRAE	
					QK173H	10,380	3,042	980	10.59	3.10	ASHRAE	
					QK175H	10,500	3,077	980	10.71	3.14	ASHRAE	
					QKS	QKS134H	7,490	2,195	675	11.10	3.25	ASHRAE
						QKS141H	8,000	2,344	720	11.11	3.26	ASHRAE
						QKS145H	8,300	2,433	755	11.00	3.22	ASHRAE
			QKS151H	8,700		2,549	777	11.20	3.28	ASHRAE		
			QKS156H	9,020		2,643	820	11.00	3.22	ASHRAE		
			QKS164H	9,300		2,725	823	11.30	3.31	ASHRAE		
			QJ	QKS185H	10,800	3,165	1,000	10.80	3.16	ASHRAE		
				QJ191H	11,070	3,244	1,025	10.80	3.16	ASHRAE		
				QJ196H	11,600	3,399	1,055	11.00	3.22	ASHRAE		
				QJ200H	11,770	3,449	1,070	11.00	3.22	ASHRAE		
				QJ208H	12,360	3,622	1,126	10.98	3.22	ASHRAE		
				QJ215H	12,550	3,678	1,140	11.01	3.23	ASHRAE		
				QJ236H	13,930	4,082	1,315	10.59	3.10	ASHRAE		
				QJ250H	14,450	4,234	1,355	10.66	3.13	ASHRAE		
				QVS	QVS300H	17,600	5,158	1,530	11.50	3.37	ASHRAE	

Note 1 : Figures in the table are subject to change without prior notice for performance improvement.

Note 2 :

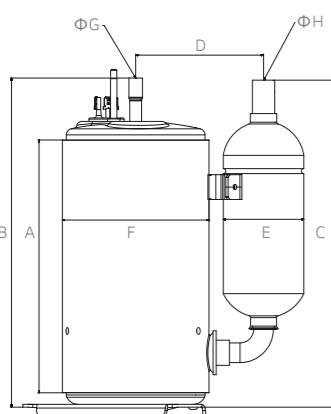
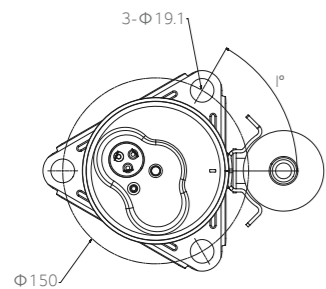
Test condition	Condenser temperature	Evaporation temperature	Suction temperature	Sub cool
ASHRAE	54.4°C	7.2°C	35°C	8.3°C

Dimension							
A	B	C	D	E	F	G	H
204.0	274.3	243.6	93.0	50.8	118.2	8.06	9.7
204.0	274.3	243.6	93.0	50.8	118.2	8.06	9.7
204.0	275.0	255.9	93.7	50.8	118.2	8.06	12.8
204.0	275.2	244.5	93.0	50.8	118.2	8.06	12.8
220.0	289.0	259.5	103.0	65.0	118.2	8.06	12.8
225.0	289.0	259.5	103.0	65.0	118.2	8.06	12.8
225.0	289.0	259.5	103.0	65.0	118.2	8.06	12.8
212.0	286.0	263.6	104.0	65.0	118.2	8.06	9.7
212.0	272.3	233.6	93.0	50.8	118.2	8.06	9.7
212.0	272.3	233.6	93.0	50.8	118.2	8.06	9.7
207.0	277.3	243.6	93.0	50.8	118.2	8.06	9.7
215.0	285.3	243.6	93.0	50.8	118.2	8.06	9.7
215.0	276.9	294.6	109.0	75.0	118.2	8.06	12.8
217.0	277.3	253.6	109.0	75.0	118.2	8.06	12.8
215.0	273.7	295.0	114.0	75.0	118.2	8.06	12.8
217.0	278.3	294.6	114.0	75.0	118.2	8.06	12.8
215.0	276.7	295.0	114.0	75.0	118.2	8.06	12.8
212.0	273.0	253.6	114.0	75.0	118.2	8.06	12.8
215.0	275.0	262.6	103.0	75.0	118.2	8.06	9.7
237.0	297.8	266.4	114.0	75.0	127.3	9.70	12.8
237.0	297.8	266.4	115.5	75.0	127.3	9.70	12.8
247.0	273.6	286.2	114.0	75.0	127.3	9.70	12.8
237.0	287.8	257.4	115.5	75.0	127.3	9.70	12.8
220.0	280.8	257.4	109.0	65.0	127.3	9.70	12.8
220.0	280.8	257.4	109.0	65.0	127.3	9.70	12.8
233.7	294.5	259.5	107.5	65.0	127.3	9.70	12.8
271.7	344.8	336.7	120.1	75.0	132.1	9.70	16.0

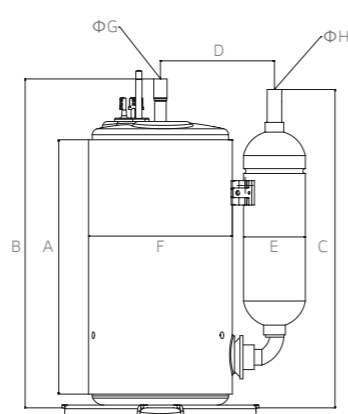
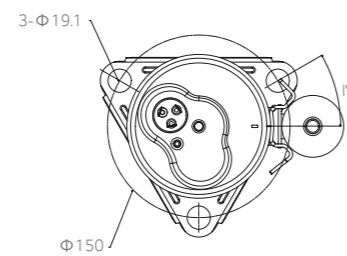
* I : Custom angles are available upon request between 15° and 105°

* C, D, E, ΦG, ΦH : Dimensions may vary according to customer needs.

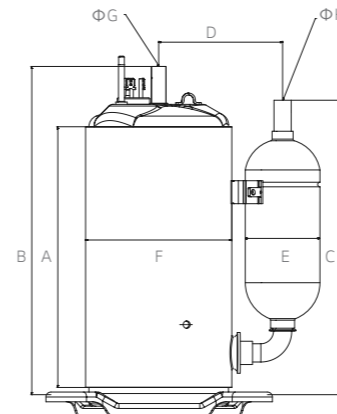
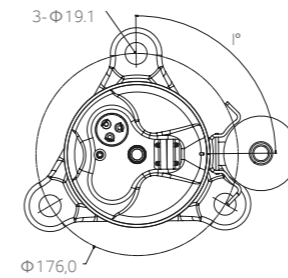
QK



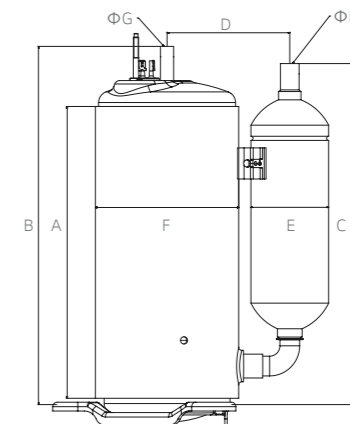
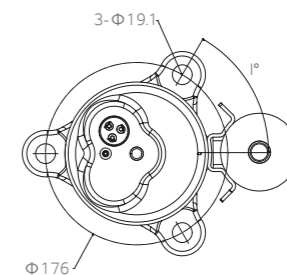
QKS



QJ



QVS



Specification_Constant speed (R22, 1Piston)

Refrigerant	Type	Frequency	Voltage	Series	Model	Cooling Capacity		Input	EER	COP	Test Condition
						Btu/hr	Watts	Watts	Btu/W.hr	W/W	
R22	1piston	50Hz	1Φ,220/240V	QA	QA060P	3,400	996	330	10.30	3.02	ASHRAE
					QA064P	3,600	1,055	353	10.20	2.99	ASHRAE
					QA066P	3,720	1,090	372	10.00	2.93	ASHRAE
					QA075P	4,110	1,204	410	10.02	2.94	ASHRAE
					QA089P	5,150	1,509	495	10.40	3.05	ASHRAE
					QA102P	5,830	1,708	555	10.50	3.08	ASHRAE
					QA114P	6,360	1,864	611	10.41	3.05	ASHRAE
					QA125P	7,100	2,081	670	10.60	3.11	ASHRAE
					QA104P	5,900	1,729	590	10.00	2.93	ASHRAE
				QK	QK114P	6,480	1,899	611	10.61	3.11	ASHRAE
					QK125P	7,300	2,139	676	10.80	3.16	ASHRAE
					QK134P	7,700	2,256	715	10.77	3.16	ASHRAE
					QK145P	8,250	2,418	760	10.86	3.18	ASHRAE
					QK156P	9,100	2,667	830	10.96	3.21	ASHRAE
					QK164P	9,550	2,799	868	11.00	3.22	ASHRAE
					QK173P	9,980	2,925	942	10.59	3.10	ASHRAE
					QK175P	10,000	2,930	952	10.50	3.08	ASHRAE
					QK196P	11,050	3,238	1,063	10.40	3.05	ASHRAE
					QK208P	11,800	3,458	1,092	10.81	3.17	ASHRAE
					QK222P	13,150	3,853	1,229	10.70	3.14	ASHRAE
				QKS	QKS134P	7,500	2,198	665	11.28	3.30	ASHRAE
					QKS156P	8,850	2,593	785	11.27	3.30	ASHRAE
					QKS164P	9,250	2,711	812	11.39	3.34	ASHRAE
					QKS173P	10,000	2,930	909	11.00	3.22	ASHRAE
					QKS185P	10,800	3,165	1,000	10.80	3.16	ASHRAE
					QKS202P	12,050	3,531	1,090	11.06	3.24	ASHRAE
					QKS208P	12,450	3,648	1,135	10.97	3.21	ASHRAE
					QKS215P	12,900	3,780	1,210	10.66	3.12	ASHRAE
					QKS222P	13,450	3,941	1,260	10.67	3.13	ASHRAE
					QKS222P	13,450	3,941	1,260	10.67	3.13	ASHRAE

Note 1 : Figures in the table are subject to change without prior notice for performance improvement.

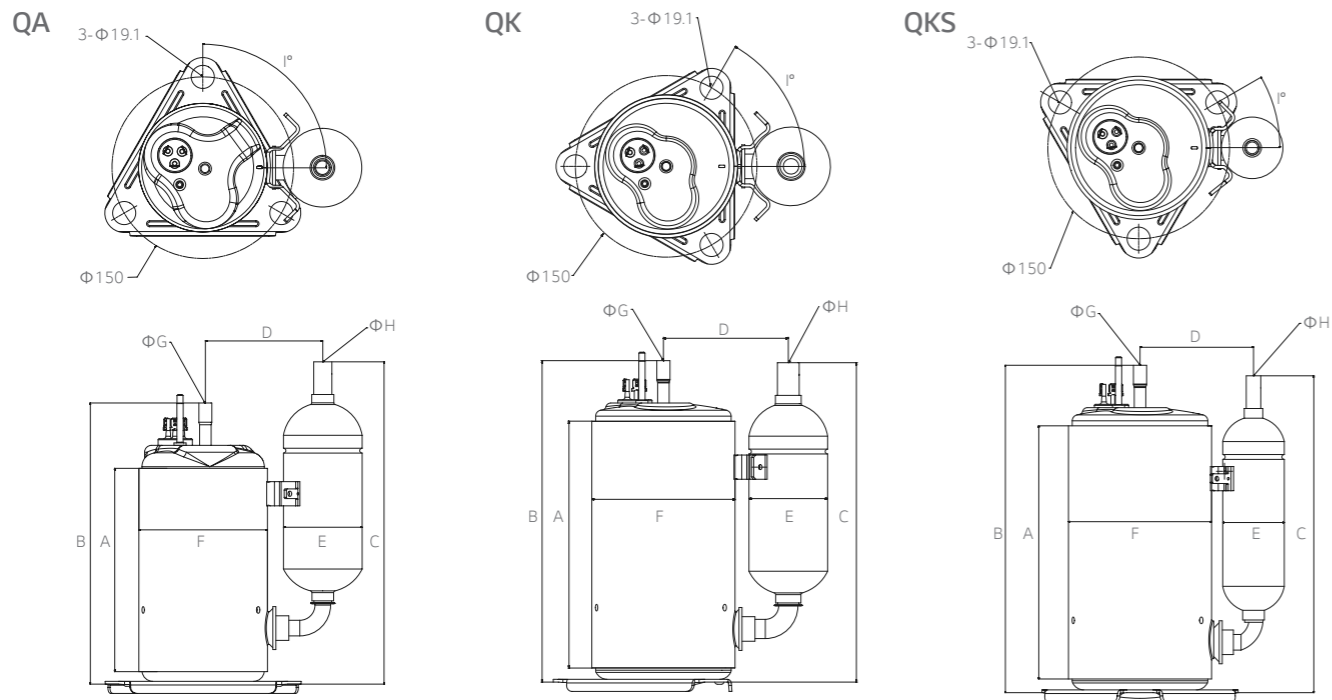
Note 2 :

Test condition	Condenser temperature	Evaporation temperature	Suction temperature	Sub cool
ASHRAE	54.4°C	7.2°C	35°C	8.3°C

Dimension							
A	B	C	D	E	F	G	H
188.8	251.7	258.9	89.0	50.8	106.2	8.06	9.7
194.8	261.3	258.9	85.6	50.8	106.2	8.06	9.7
188.8	251.7	238.9	89.0	50.8	106.2	8.06	9.7
187.5	258.9	265.9	85.6	31.8	106.2	8.06	9.7
202.0	260.0	227.8	86.2	31.8	106.2	8.06	9.7
202.0	264.9	264.0	89.0	50.8	106.2	6.53	9.7
202.0	261.7	245.9	84.0	31.8	106.2	6.53	9.7
198.8	261.7	236.0	89.0	50.8	106.2	8.06	9.7
192.0	256.3	225.3	93.0	50.8	118.2	8.06	9.7/12.8
199.0	269.3	238.6	93.0	50.8	118.2	8.06	9.7
207.0	274.3	243.6	93.0	50.8	118.2	8.06/6.53	9.7/12.8
207.0	274.3	243.6	93.0	50.8	118.2	8.06	9.7/12.8
212.0	264.3	253.6	93.0	50.8/65	118.2	8.06	9.7/12.8
207.0	273.2	239.5	93.7	50.8	118.2	6.53	9.7
212.0	273.3	283.6	109.6	75.0	118.2	8.06	12.8
215.0	281.0	267.0	93.0	50.8	118.2	8.06	12.8
207.0	277.3	288.6	93.0	50.8	118.2	8.06	12.8
215.0	286.3	263.6	104.0	65.0	118.2	8.06	12.8
225.0	296.3	267.8	104.0	65.0	118.2	8.06	12.8
225.0	286.3	287.8	109.6	75.0	118.2	8.06	12.8
212.0	276.0	255.3	104.0	65.0	118.2	8.06	12.8
217.0	291.0	265.3	93.7	50.8	118.2	8.06	12.8
217.0	255.6	253.6	93.7	50.8	118.2	8.06	9.7
217.0	278.0	283.6	109.0	75.0	118.2	8.06	12.8
215.0	275.3	262.6	114.0	75.0	118.2	8.06	9.7
228.0	289.6	313.2	104.0	65.0	118.2	8.06	12.8
228.0	289.6	313.2	104.0	65.0	118.2	8.06	12.8
228.0	292.0	294.5	93.7	50.8	118.2	8.06	12.8
228.0	302.0	269.5	93.7	50.8	118.2	8.06	12.8
228.0	302.0	269.5	93.7	50.8	118.2	8.06	12.8

* I : Custom angles are available upon request between 15° and 105°

* C, D, E, ΦG, ΦH : Dimensions may vary according to customer needs.



Specification_Constant speed (R22, 1Piston)

Refrigerant	Type	Frequency	Voltage	Series	Model	Cooling Capacity		Input	EER	COP	Test Condition				
						Btu/hr	Watts								
R22	单气缸	50Hz	1φ,220/240V	QJ	QJ236J	13,550	3,971	1,320	10.27	3.01	ASHRAE				
					QJ264J	15,400	4,513	1,475	10.44	3.06	ASHRAE				
					QJ292J	16,800	4,923	1,555	10.80	3.17	ASHRAE				
					QJ325J	18,800	5,509	1,773	10.60	3.11	ASHRAE				
					QJ196P	11,400	3,341	1,040	10.96	3.21	ASHRAE				
					QJ208P	12,280	3,599	1,082	11.35	3.33	ASHRAE				
					QJ222P	13,026	3,817	1,163	11.20	3.28	ASHRAE				
					QJ236P	13,600	3,985	1,307	10.41	3.05	ASHRAE				
					QJ264P	15,200	4,454	1,407	10.80	3.17	ASHRAE				
					QJ282P	16,600	4,864	1,523	10.90	3.19	ASHRAE				
					QJ292P	16,700	4,894	1,575	10.60	3.11	ASHRAE				
					QJ306P	18,500	5,421	1,715	10.79	3.16	ASHRAE				
					QJ330P	19,900	5,832	1,877	10.60	3.11	ASHRAE				
					QJ306K	22,200	6,505	2,094	10.60	3.11	ASHRAE				
					QJS	QJS208P	11,850	3,473	1,040	11.39	3.34	ASHRAE			
				QJS222P	12,950	3,795	1,136	11.40	3.34	ASHRAE					
				QJS295P	17,450	5,114	1,585	11.01	3.23	ASHRAE					
				QJH	QJH190P	11,100	3,253	977	11.36	3.33	ASHRAE				
				QJH215P	12,450	3,649	1,112	11.20	3.28	ASHRAE					
				QV	QV286P	17,150	5,026	1,491	11.50	3.37	ASHRAE				
				QV295P	17,250	5,055	1,513	11.40	3.34	ASHRAE					
				QV325P	19,300	5,656	1,770	10.90	3.20	ASHRAE					
				QV362P	21,660	6,347	1,884	11.50	3.37	ASHRAE					
				QVS	QVS295P	17,600	5,158	1,530	11.50	3.37	ASHRAE				
				QVS308P	18,400	5,392	1,607	11.45	3.36	ASHRAE					
				QVS348P	20,550	6,022	1,894	10.85	3.18	ASHRAE					
				QVS370P	21,800	6,388	1,929	11.30	3.31	ASHRAE					
				QVS407P	24,100	7,063	2,190	11.0	3.22	ASHRAE					
				QP	QP306P	18,450	5,407	1,650	11.18	3.28	ASHRAE				
				QP325P	19,500	5,714	1,773	11.00	3.22	ASHRAE					
				QP348P	20,500	6,007	1,884	10.88	3.19	ASHRAE					
				QP376P	22,500	6,593	2,030	11.08	3.25	ASHRAE					
				QP390P	23,500	6,886	2,080	11.30	3.31	ASHRAE					
				QP407P	24,400	7,150	2,180	11.19	3.28	ASHRAE					
				QP425P	25,600	7,502	2,335	10.96	3.21	ASHRAE					
				QP442P	26,200	7,678	2,380	11.01	3.23	ASHRAE					
				QP464P	27,800	8,147	2,574	10.80	3.16	ASHRAE					
				QP425Y	25,000	7,326	2,380	10.50	3.08	ASHRAE					
							3φ,380-420V	QP							

Note 1 : Figures in the table are subject to change without prior notice for performance improvement.

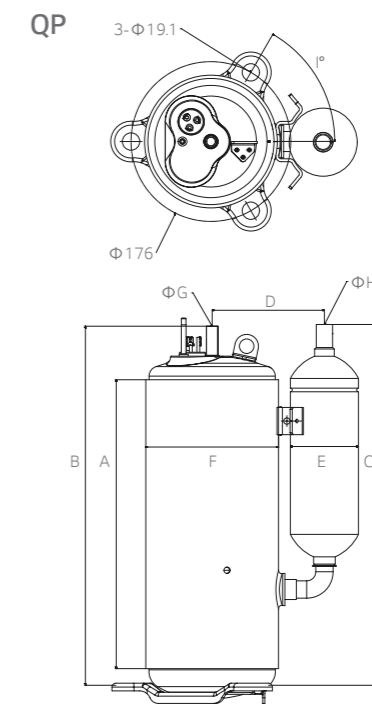
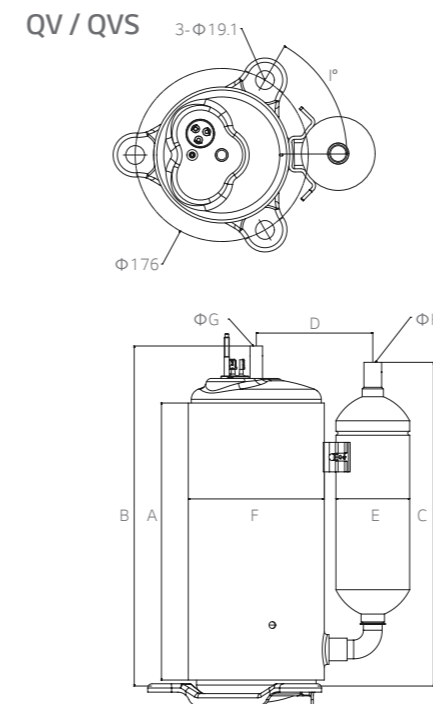
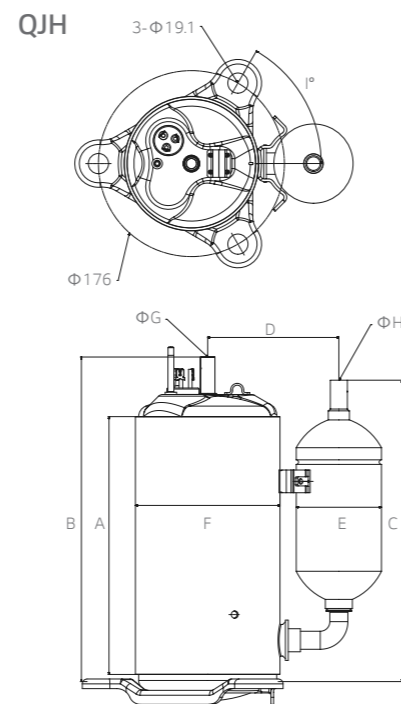
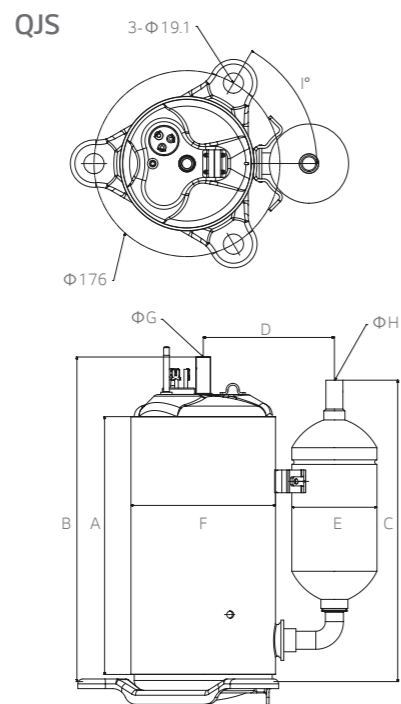
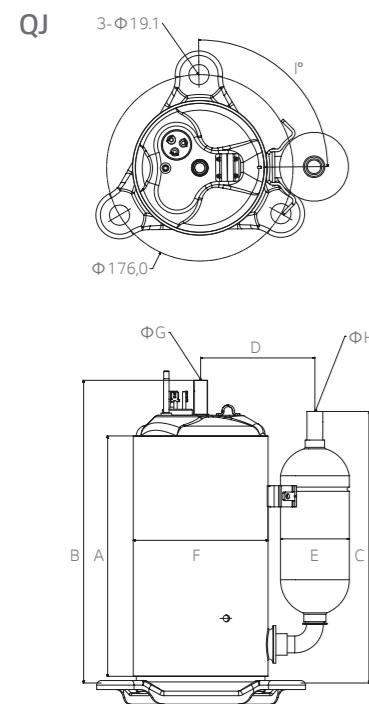
Note 2 :

Test condition	Condenser temperature	Evaporation temperature	Suction temperature	Sub cool
ASHRAE	54.4°C	7.2°C	35°C	8.3°C

Dimension							
A	B	C	D	E	F	G	H
220.0	288.8	283.1	109.0	65.0	127.3	9.70	12.8
223.7	284.3	258.3	115.5	75.0	127.3	9.70	12.8
233.7	294.3	258.3	109.0	65.0	127.3	9.70	12.8
260.5	324.5	350.3	115.5	75.0	127.3	9.70	16.0
237.0	297.8	287.4	114.0	75.0	127.3	9.70	12.8
222.7	284.8	255.4	98.3	50.8	127.3	9.70	12.8
212.0	274.8	255.4	107.5	65.0	127.3	9.70	12.8
220.0	288.8	255.0	115.5	75.0	127.3	9.70	12.8
223.7	284.3	258.3	107.5	65.0	127.3	9.70	12.8
233.7	294.8	269.6	115.5	75.0	127.3	9.70	12.8
233.7	300.5	278.8	115.5	75.0	127.3	9.70	12.8
260.7	324.5	305.0	115.5	75.0	127.3	9.70	12.8
255.7	313.5	295.5	115.5	75.0	127.3	9.70	12.8
260.5	326.8	278.3	107.5	65.0	127.3	9.70	16.0
242.0	301.6	286.2	115.5	75.0	127.3	9.70	12.8
242.0	302.6	257.2	108.0	65.0	127.3	9.70	12.8
258.4	325.5	302.3	115.5	75.0	127.3	9.70	12.8
242.0	301.6	256.2	108.0	65.0	127.3	9.70	12.8
237.0	296.6	286.2	115.0	75.0	127.3	9.70	12.8
251.5	324.6	294.7	128.4	90.0	132.1	9.70	16.0
271.7	344.8	296.1	128.4	90.0	132.1	9.70	16.0
261.7	335.8	334.4	120.1	75.0	132.1	9.70	16.0
281.7	356.7	335.8	120.1	75.0	132.1	9.70	16.0
251.5	324.6	303.7	120.1	75.0	132.1	9.70	16.0
261.7	334.8	303.7	120.1	75.0	132.1	9.70	16.0
271.7	344.8	336.7	120.1	75.0	132.1	9.70	16.0
283.2	359.5	341.7	120.1	75.0	132.1	9.70	16.0
283.2	356.3	341.7	118.0	75.0	138.5	9.70	16.0
250.0	250.0	328.0	123.7	75.0	145.4	9.70	12.8
250.0	316.3	308.4	123.7	75.0	145.4	9.70	16.0
250.0	327.3	341.4	123.7	75.0	145.4	9.70	12.8
250.0	327.3	308.4	123.7	75.0	145.4	9.70	16.0
250.0	327.3	308.4	123.7	75.0	145.4	9.70	16.0
250.0	325.0	326.3	123.7	75.0	145.4	9.70	16.0
250.0	327.3	308.4	123.7	75.0	145.4	9.70	16.0
250.0	341.5	357.4	132.8	90.0	145.4	9.70	16.0
250.0	327.3	341.4	123.7	75.0	145.4	9.70	16.0
250.0	327.3	341.4	123.7	75.0	145.4	9.70	16.0
275.0	353.0	345.0	123.7	75.0	145.4	9.70	16.0

* I : Custom angles are available upon request between 15° and 105°

* C, D, E, φG, φH : Dimensions may vary according to customer needs.



Specification_Constant speed (R22, 1Piston)

Refrigerant	Type	Frequency	Voltage	Series	Model	Cooling Capacity		Input Watts	EER Btu/W.hr	COP W/W	Test Condition
						Btu/hr	Watts				
R22	1piston	60Hz	1Φ,115V	QA	QA064C	4,450	1,304	460	9.67	2.83	ASHRAE
					QA075C	5,250	1,538	477	11.01	3.23	ASHRAE
					QA086C	6,070	1,779	590	10.29	3.01	ASHRAE
					QA104C	7,250	2,125	670	10.82	3.17	ASHRAE
					QA110C	7,885	2,311	725	10.88	3.19	ASHRAE
					QA114C	7,950	2,330	736	10.80	3.17	ASHRAE
				QK	QA125C	9,000	2,637	857	10.50	3.08	ASHRAE
					QK125C	8,790	2,576	814	10.80	3.16	ASHRAE
					QK134C	9,400	2,755	854	11.01	3.23	ASHRAE
					QK141C	9,900	2,901	900	11.00	3.22	ASHRAE
					QK145C	10,200	2,989	927	11.00	3.22	ASHRAE
					QK156C	11,150	3,267	1,014	11.00	3.22	ASHRAE
					QK164C	11,650	3,414	1,059	11.00	3.22	ASHRAE
					QK173C	12,300	3,604	1,153	10.67	3.13	ASHRAE
					QK182C	12,690	3,719	1,212	10.47	3.07	ASHRAE
					QK189C	13,250	3,883	1,293	10.25	3.00	ASHRAE
					QK191C	13,600	3,985	1,259	10.80	3.17	ASHRAE
					QK208C	15,000	4,396	1,415	10.60	3.11	ASHRAE
			1Φ, 220V	QA	QA104G	7,150	2,095	662	10.80	3.17	ASHRAE
					QA114G	7,890	2,312	730	10.81	3.17	ASHRAE
				QA	QA075K	5,200	1,524	486	10.70	3.14	ASHRAE
					QA092K	6,400	1,875	615	10.41	3.05	ASHRAE
					QA102K	7,150	2,095	662	10.80	3.17	ASHRAE
					QA104K	7,150	2,095	662	10.80	3.17	ASHRAE
1Φ, 208-230V	QA	QA106K	7,350	2,154	662	11.10	3.25	ASHRAE			
		QA110K	7,600	2,227	705	10.78	3.16	ASHRAE			
		QA114K	7,890	2,312	730	10.81	3.17	ASHRAE			

Note 1 : Figures in the table are subject to change without prior notice for performance improvement.

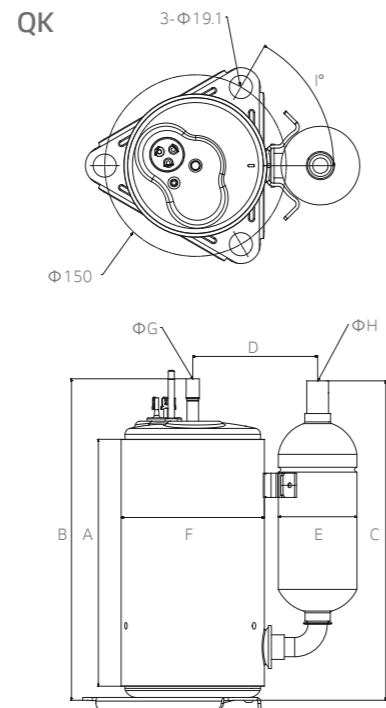
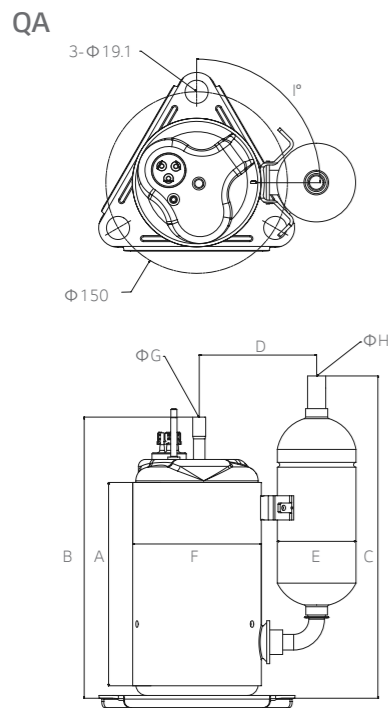
Note 2 :

Test condition	Condenser temperature	Evaporation temperature	Suction temperature	Sub cool
ASHRAE	54.4°C	7.2°C	35°C	8.3°C

Dimension							
A	B	C	D	E	F	G	H
196.0	257.6	204.6	86.2	31.8	106.2	6.53	9.7
187.5	237.4	207.0	86.2	31.8	106.2	6.53	9.7
181.8	250.4	220.0	86.2	31.8	106.2	6.53	9.7
202.0	261.7	205.9	84.0	31.8	106.2	8.06	9.7
204.7	262.6	205.9	86.2	41.3	106.2	6.53	9.7
202.0	261.7	205.9	84.0	31.8	106.2	8.06	9.7
204.7	237.6	205.9	86.2	41.3	106.2	6.53	9.7
198.8	259.3	248.5	93.0	50.8	118.2	8.06	9.7
207.0	267.3	256.6	93.0	50.8	118.2	8.06	12.8
212.0	273.3	253.6	93.7	50.8	118.2	8.06	12.8
207.0	267.3	248.6	93.0	50.8	118.2	8.06	12.8
199.0	258.0	248.6	93.7	50.8	118.2	8.06	12.8
207.0	263.3	253.6	93.7	50.8	118.2	8.06	12.8
215.0	275.3	253.6	93.7	50.8	118.2	8.06	12.8
215.0	275.0	256.0	103.0	65.0	118.2	8.06	12.8
215.0	275.0	264.9	109.0	75.0	118.2	8.06	12.8
215.0	275.0	253.6	103.0	65.0	118.2	8.06	12.8
225.0	297.0	268.5	103.0	65.0	118.2	8.06	12.8
198.8	261.7	205.9	84.0	41.3	106.2	8.06	9.7
198.8	261.7	246.0	89.0	50.8	106.2	8.06	9.7
187.5	247.6	211.6	84.0	31.8	106.2	6.53	9.7
196.0	258.9	226.9	84.0	31.8	106.2	8.06	9.7
202.0	264.9	244.0	89.0	65.0	106.2	8.06	12.8
198.8	261.7	265.9	89.0	50.8	106.2	8.06	9.7
204.7	267.6	265.9	85.6	50.8	106.2	8.06	9.7
198.8	261.7	205.9	84.0	41.3	106.2	8.06	9.7
198.8	261.7	248.0	89.0	50.8	106.2	8.06	9.7

* I : Custom angles are available upon request between 15° and 105°

* C, D, E, φG, φH : Dimensions may vary according to customer needs.



Specification_Constant speed (R22, 1Piston)

Refrigerant	Type	Frequency	Voltage	Series	Model	Cooling Capacity		Input Watts	EER Btu/W.hr	COP W/W	Test Condition
						Btu/hr	Watts				
R22	1piston	60Hz	1Φ,208-230V	QK	QK104K	7,250	2,125	671	10.80	3.17	ASHRAE
					QK125K	8,800	2,579	815	10.80	3.16	ASHRAE
					QK134K	9,350	2,740	874	10.70	3.13	ASHRAE
					QK141K	9,800	2,872	891	11.00	3.22	ASHRAE
					QK145K	10,100	2,960	918	11.00	3.22	ASHRAE
					QK147K	10,200	2,989	945	10.79	3.16	ASHRAE
					QK151K	10,550	3,092	981	10.75	3.15	ASHRAE
					QK156K	11,000	3,223	1,018	10.81	3.17	ASHRAE
					QK164K	11,500	3,370	1,045	11.00	3.22	ASHRAE
					QK173K	12,100	3,546	1,141	10.60	3.11	ASHRAE
					QK178K	12,500	3,663	1,179	10.60	3.11	ASHRAE
					QK175K	12,600	3,692	1,167	10.80	3.16	ASHRAE
					QK182K	12,600	3,692	1,211	10.40	3.05	ASHRAE
					QK185K	12,923	3,787	1,204	10.73	3.15	ASHRAE
					QK191K	13,400	3,927	1,252	10.70	3.14	ASHRAE
					QK208K	14,650	4,293	1,369	10.70	3.14	ASHRAE
				QK222K	15,900	4,659	1,458	10.91	3.20	ASHRAE	
				QK230K	16,300	4,777	1,523	10.70	3.14	ASHRAE	
				QKS	QKS125K	8,700	2,549	763	11.40	3.34	ASHRAE
					QKS134K	9,400	2,755	817	11.51	3.37	ASHRAE
					QKS145K	8,300	2,432	755	10.99	3.22	ASHRAE
					QKS168K	11,450	3,355	1,060	10.80	3.17	ASHRAE
					QKS164K	11,500	3,370	1,009	11.40	3.34	ASHRAE
				QKS173K	12,080	3,540	1,050	11.50	3.37	ASHRAE	
				QJ	QJ196K	14,100	4,132	1,270	11.10	3.25	ASHRAE
					QJ208K	14,650	4,293	1,356	10.80	3.17	ASHRAE
					QJ222K	15,700	4,601	1,427	11.00	3.22	ASHRAE
					QJ230K	16,500	4,835	1,510	10.93	3.20	ASHRAE
					QJ250K	17,600	5,158	1,585	11.10	3.25	ASHRAE
					QJ258K	18,200	5,333	1,670	10.90	3.19	ASHRAE
					QJ264K	18,650	5,465	1,710	10.91	3.20	ASHRAE
					QJ278K	19,600	5,744	1,815	10.80	3.16	ASHRAE
QJ282K	19,850	5,817	1,825		10.88	3.19	ASHRAE				
QJ325K	23,400	6,857	2,228		10.50	3.08	ASHRAE				

Note 1 : Figures in the table are subject to change without prior notice for performance improvement.

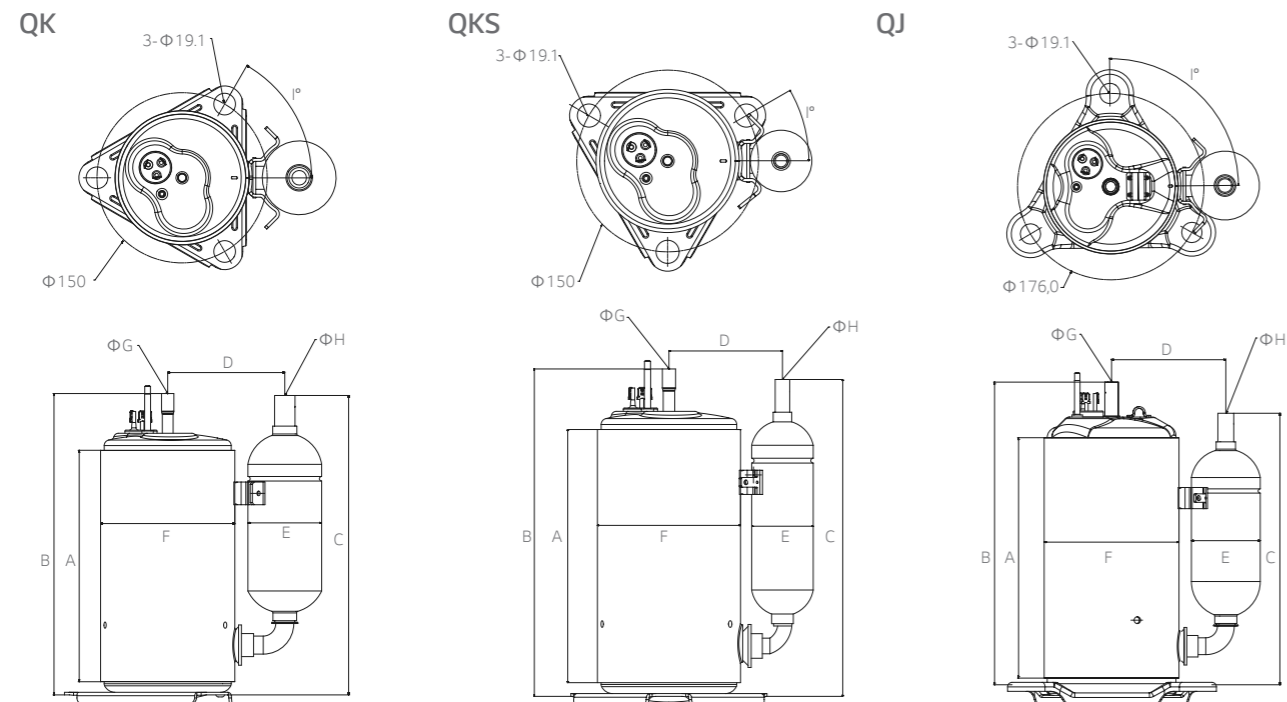
Note 2 :

Test condition	Condenser temperature	Evaporation temperature	Suction temperature	Sub cool
ASHRAE	54.4°C	7.2°C	35°C	8.3°C

Dimension							
A	B	C	D	E	F	G	H
192.0	263.3	258.6	103.0	65.0	118.2	8.06	9.7
199.0	270.3	258.6	93.7	50.8	118.2	8.06	12.8
199.0	260.3	248.6	93.7	50.8	118.2	6.53	9.7
204.0	284.3	272.6	109.0	75.0	118.2	8.06	12.8
199.0	258.3	248.6	93.7	50.8	118.2	8.06	12.8
212.0	275.0	256.0	93.0	50.8	118.2	8.06	12.8
212.0	272.3	262.6	109.0	75.0	118.2	8.06	12.8
207.0	259.3	248.6	93.7	50.8	118.2	8.06	12.8
207.0	268.3	248.6	93.7	50.8	118.2	8.06	12.8
207.0	278.3	263.6	103.0	65.0	118.2	8.06	12.8
207.0	267.0	285.6	103.0	65.0	118.2	8.06	12.8
215.0	267.3	285.6	103.0	65.0	118.2	8.06	12.8
215.0	275.0	256.0	93.0	50.8	118.2	8.06	12.8
215.0	286.3	263.6	93.7	50.8	118.2	8.06	12.8
215.0	285.0	272.6	109.0	75.0	118.2	8.06	12.8
225.0	286.6	257.8	103.0	65.0	118.2	9.70	12.8
225.0	297.0	277.5	109.0	75.0	118.2	9.70	12.8
225.0	297.0	298.5	109.0	75.0	118.2	9.10	12.8
217.0	287.3	263.6	93.0	50.8	118.2	8.06	12.8
217.0	277.0	273.0	109.0	75.0	118.2	8.06	12.8
217.0	275.3	253.6	103.0	65.0	118.2	8.06	12.8
220.0	281.9	263.9	93.7	50.8	118.2	8.06	12.8
217.0	268.0	263.0	109.0	75.0	118.2	8.06	12.8
220.0	280.4	248.6	109.6	75.0	118.2	8.06	12.8
227.0	277.6	257.2	98.3	50.8	127.3	9.70	12.8
217.0	274.8	264.4	115.5	75.0	127.3	9.70	12.8
217.0	286.6	266.2	113.0	75.0	127.3	9.70	12.8
227.0	284.8	255.4	107.5	65.0	127.3	9.70	12.8
223.7	291.5	256.5	107.5	65.0	127.3	9.70	12.8
233.7	291.5	256.5	107.5	65.0	127.3	9.70	16.0
223.7	282.0	272.0	115.5	75.0	127.3	9.70	12.8
233.7	298.0	302.0	115.5	75.0	127.3	9.70	12.8
233.7	251.3	296.2	113.0	75.0	127.3	9.10	16.0
245.7	311.3	315.3	115.5	75.0	127.3	9.70	12.8

* I : Custom angles are available upon request between 15° and 105°

* C, D, E, ΦG, ΦH : Dimensions may vary according to customer needs.



Specification_Constant speed (R22, 1Piston)

Refrigerant	Type	Frequency	Voltage	Series	Model	Cooling Capacity		Input	EER	COP	Test Condition
						Btu/hr	Watts				
R22	1piston	60Hz	1Φ,208-230V	QJS	QJS196K	13,900	4,073	1,264	11.00	3.22	ASHRAE
					QJS208K	14,850	4,352	1,303	11.40	3.34	ASHRAE
					QJS250K	17,850	5,231	1,594	11.20	3.28	ASHRAE
					QJS258K	18,600	5,451	1,777	10.47	3.07	ASHRAE
					QJS278K	19,500	5,714	1,789	10.90	3.19	ASHRAE
					QJS282K	20,250	5,934	1,849	10.95	3.21	ASHRAE
				QV	QV325K	24,000	7,033	2,172	11.05	3.24	ASHRAE
					QVS250K	18,150	5,319	1,592	11.40	3.34	ASHRAE
				QVS	QVS348K	25,200	7,385	2,250	11.20	3.28	ASHRAE
					QVS407K	30,500	8,938	2,750	11.09	3.25	ASHRAE
					QP306K	22,600	6,623	2,055	11.00	3.22	ASHRAE
				QP	QP325K	24,000	7,033	2,162	11.10	3.25	ASHRAE
					QP348K	25,900	7,590	2,312	11.20	3.28	ASHRAE
					QP362K	27,000	7,912	2,455	11.00	3.22	ASHRAE
					QP376K	27,700	8,117	2,541	10.90	3.19	ASHRAE
					QP390K	29,200	8,557	2,646	11.04	3.23	ASHRAE
					QP407K	30,100	8,821	2,736	11.00	3.22	ASHRAE
					QP425K	31,900	9,348	2,929	10.89	3.19	ASHRAE
			QK		QK125Q	8,650	2,535	801	10.80	3.16	ASHRAE
					QK141Q	9,800	2,872	907	10.80	3.17	ASHRAE
					QK164Q	11,500	3,370	1,075	10.70	3.13	ASHRAE
				QK173Q	12,100	3,546	1,142	10.60	3.10	ASHRAE	
			QKT	QJ222Q	15,800	4,630	1,463	10.80	3.16	ASHRAE	
				QJ250Q	18,000	5,275	1,682	10.70	3.14	ASHRAE	
			3Φ, 220V	QP	QP348R	25,900	7,590	2,344	11.05	3.24	ASHRAE
			3Φ, 380V	QP	QP348U	25,200	7,385	2,400	10.50	3.08	ASHRAE
					QP407U	30,100	8,821	2,787	10.80	3.16	ASHRAE

Note 1 : Figures in the table are subject to change without prior notice for performance improvement.

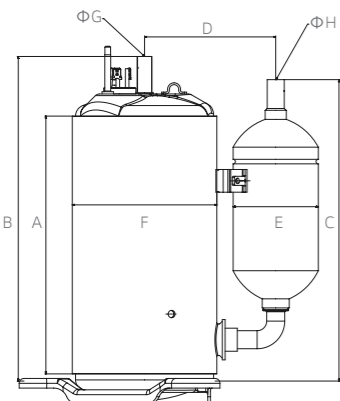
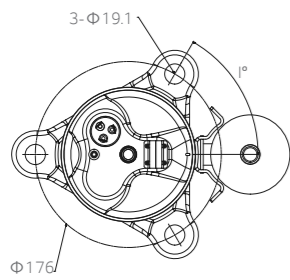
Note 2 :

Test condition	Condenser temperature	Evaporation temperature	Suction temperature	Sub cool
ASHRAE	54.4°C	7.2°C	35°C	8.3°C

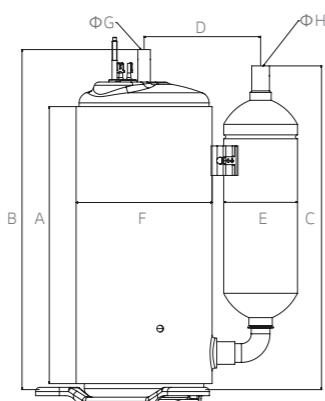
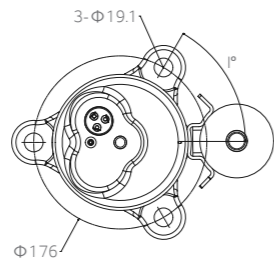
Dimension							
A	B	C	D	E	F	G	H
212.0	272.6	266.2	113.0	75.0	127.3	9.70	12.8
237.0	297.6	266.2	113.0	75.0	127.3	9.70	12.8
250.7	250.7	311.7	113.0	75.0	127.3	9.70	12.8
233.7	284.3	258.3	107.5	65.0	127.3	9.70	12.8
233.7	315.0	303.5	115.5	75.0	127.3	9.70	12.8
250.7	308.5	297.0	115.5	75.0	127.3	9.70	12.8
266.7	334.8	294.7	120.1	75.0	132.1	9.70	16.0
256.5	329.6	315.8	120.1	75.0	132.1	9.70	16.0
256.5	322.5	315.8	120.1	75.0	132.1	9.70	16.0
278.2	344.8	356.4	120.1	75.0	132.1	9.70	16.0
239.0	316.3	308.4	123.7	75.0	145.4	9.70	16.0
250.0	327.3	341.4	123.7	75.0	145.4	9.70	16.0
250.0	316.3	308.4	123.7	75.0	145.4	9.70	16.0
239.0	317.0	345.0	123.7	75.0	145.4	9.70	16.0
250.0	327.3	341.4	123.7	75.0	145.4	9.70	16.0
239.0	316.3	341.4	123.7	75.0	145.4	9.70	16.0
250.0	327.3	321.4	123.7	75.0	145.4	9.70	16.0
250.0	361.0	345.0	123.7	75.0	145.4	9.70	16.0
204.0	269.3	253.6	93.0	50.8	118.2	8.06	12.8
204.0	267.3	272.6	109.0	75.0	118.2	8.06	12.8
204.0	264.3	253.6	103.0	65.0	118.2	8.06	12.8
207.0	258.3	262.6	109.0	75.0	118.2	8.06	12.8
227.0	287.6	257.2	109.0	65.0	127.3	9.70	12.8
218.7	279.3	258.3	109.0	65.0	127.3	9.70	16.0
261.5	364.6	386.4	132.5	90.0	145.4	9.70	16.0
241.5	347.0	370.0	123.7	75.0	145.4	9.70	16.0
275.0	275.0	353.0	123.7	75.0	145.4	9.70	16.0

* I : Custom angles are available upon request between 15° and 105°
 * C, D, E, ΦG, ΦH : Dimensions may vary according to customer needs.

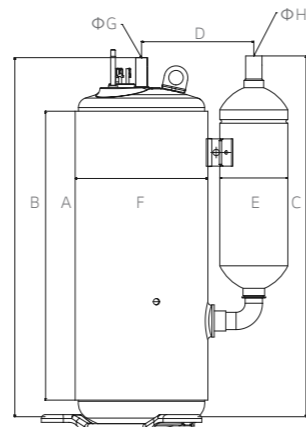
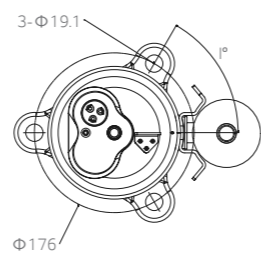
QJS



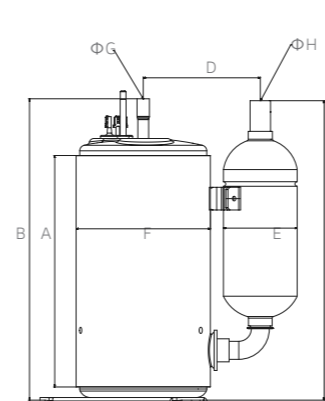
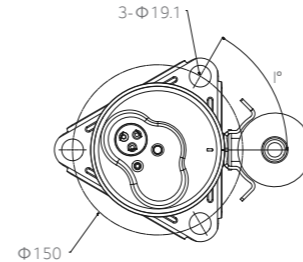
QV / QVS



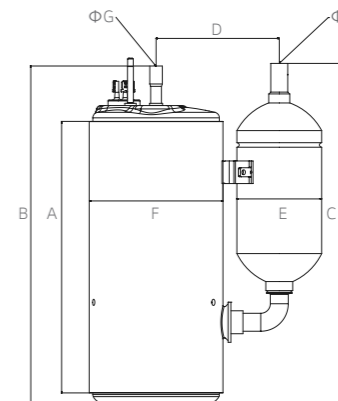
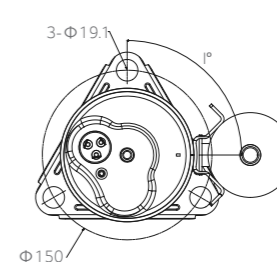
QP



QK



QKT



Specification_ Constant speed (R22, 2Piston)

Refrigerant	Type	Frequency	Voltage	Series	Model	Cooling Capacity		Input	EER	COP	Test Condition	
						Btu/hr	Watts					
R22	2piston	50Hz	1Φ,200/220V	QPT	QPT442J	26,880	7,877	2,400	11.20	3.28	ASHRAE	
					QJT	QJT310H	18,000	5,275	1,650	10.91	3.20	ASHRAE
						QKT	QKT222P	13,000	3,810	1,262	10.30	3.02
			1Φ,220/240V	QJT	QJT325P	19,300	5,656	1,771	10.90	3.19	ASHRAE	
					QJT336P	19,750	5,788	1,828	10.80	3.17	ASHRAE	
					QJT348P	20,500	6,007	1,898	10.80	3.17	ASHRAE	
				QPT	QPT442P	26,000	7,619	2,487	10.45	3.06	ASHRAE	
					QPT464P	28,500	8,352	2,688	10.60	3.11	ASHRAE	
					QPT488P	29,380	8,610	2,660	11.05	3.24	ARI	
			3Φ,380/420V	QPT	QPT425Y	25,000	7,326	2,380	10.50	3.08	ASHRAE	
					QPT525Y	30,400	8,909	2,951	10.30	3.02	ASHRAE	
					60Hz	1Φ,208-230V	QJT	QJT272K	19,300	5,656	1,755	11.00
		QJT282K	20,100	5,890				1,827	11.00	3.22	ASHRAE	
		QJT325K	23,700	6,945				2,194	10.80	3.17	ASHRAE	
		QJT336K	24,200	7,092				2,260	10.71	3.14	ASHRAE	
		QJT348K	25,000	7,326				2,313	10.81	3.17	ASHRAE	
		QJT362K	26,000	7,619				2,430	10.70	3.14	ASHRAE	
		QPT	QPT407K	30,100		8,821	2,736	11.00	3.22	ASHRAE		
			QPT442K	31,700		9,289	3,020	10.50	3.08	ASHRAE		
			QPT464K	33,300		9,758	3,141	10.60	3.11	ASHRAE		
			QPT488K	35,300		10,344	3,461	10.20	2.99	ASHRAE		
			QPT525K	36,800		10,784	3,644	10.10	2.96	ASHRAE		

Note 1 : Figures in the table are subject to change without prior notice for performance improvement.

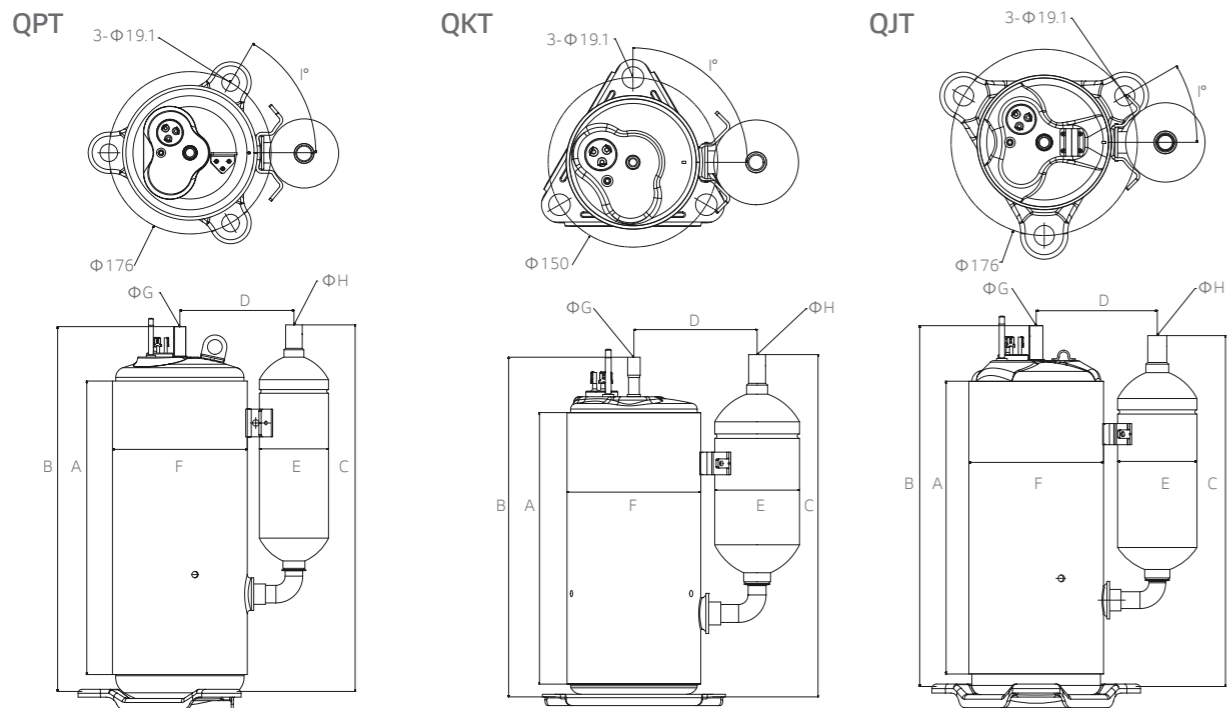
Note 2 :

Test condition	Condenser temperature	Evaporation temperature	Suction temperature	Sub cool
ASHRAE	54.4°C	7.2°C	35°C	8.3°C
ARI	54.4°C	7.2°C	18.3°C	8.3°C

Dimension							
A	B	C	D	E	F	G	H
290.9	369.4	398.4	133.4	90.0	145.4	9.70	16.0
276.7	337.0	357.1	114.0	75.0	127.3	9.70	12.8
240.2	320.5	289.2	109.0	75.0	118.2	8.06	12.8
276.7	332.2	345.0	114.0	75.0	127.3	9.70	12.8
266.7	327.0	326.1	114.0	75.0	127.3	9.70	12.8
276.7	341.0	341.6	125.5	90.0	127.3	9.70	16.0
281.9	359.2	337.1	123.7	75.0	145.4	9.70	16.0
281.9	359.2	368.1	133.4	90.0	145.4	9.70	16.0
281.9	385.2	411.9	133.4	90.0	145.4	9.70	16.0
281.9	386.6	413.5	133.4	90.0	145.4	9.70	16.0
307.3	386.0	415.0	132.3	90.0	145.4	9.70	16.0
307.3	386.0	415.0	132.3	90.0	145.4	9.70	16.0
271.1	332.2	344.0	115.0	75.0	127.3	9.70	12.8
266.1	323.9	342.9	114.0	75.0	127.3	9.70	12.8
276.7	342.0	332.0	114.0	75.0	127.3	9.70	12.8
266.7	329.0	378.9	114.0	75.0	127.3	9.70	12.8
276.7	341.0	331.6	114.0	75.0	127.3	9.70	16.0
276.7	341.0	331.6	114.0	75.0	127.3	9.70	16.0
309.3	386.6	413.5	133.4	90.0	145.4	9.70	16.0
290.9	367.1	326.5	133.4	90.0	145.4	9.70	16.0
281.9	388.2	434.6	132.0	90.0	145.4	9.70	16.0
318.3	395.6	397.5	123.7	75.0	145.4	12.80	16.0
318.3	397.2	414.4	132.0	90.0	145.4	9.70	16.0

* I : Custom angles are available upon request between 15° and 105°

* C, D, E, ΦG, ΦH : Dimensions may vary according to customer needs.



Specification_ Constant speed (R410A, R22 /1Piston, 2Piston)

Special application for Tropical

Refrigerant	Type	Frequency	Voltage	Series	Model	Cooling Capacity		Input	EER	COP	Test Condition		
						Btu/hr	Watts						
R410A	1 Piston	50Hz	1Φ,220/240V	GPS	GPS250P	21,200	6,212	2,038	10.40	3.05	ASHRAE		
					GPS290P	24,700	7,238	2,375	10.40	3.05	ASHRAE		
	2 Piston	60Hz	1Φ,208-230V	GJS	GJS160K	15,800	4,630	1,540	10.26	3.01	ASHRAE		
					GJT	16,000	4,689	1,584	10.10	2.96	ASHRAE		
	R22	1 Piston	50Hz	1Φ,220/240V	QJS	QJS222P	12,950	3,795	1,136	11.40	3.34	ASHRAE	
						QK	QK222P	13,150	3,853	1,229	10.70	3.14	ASHRAE
						QJ	QKS164P	9,250	2,711	812	11.39	3.34	ASHRAE
					QP	QJ282P	16,600	4,864	1,523	10.90	3.19	ASHRAE	
						QJ330P	19,900	5,832	1,877	10.60	3.11	ASHRAE	
						QP325P	19,500	5,714	1,773	11.00	3.22	ASHRAE	
QP407P						24,400	7,150	2,180	11.19	3.28	ASHRAE		
QP425P						25,600	7,502	2,335	10.96	3.21	ASHRAE		
QP442P						26,200	7,678	2,380	11.01	3.23	ASHRAE		
QV			QP464P	27,800	8,147	2,574	10.80	3.16	ASHRAE				
			QV325P	19,300	5,656	1,770	10.90	3.20	ASHRAE				
			QP	QP425Y	25,000	7,326	2,380	10.50	3.08	ASHRAE			
60Hz			3Φ,380/420V	QJS	QJS258K	18,600	5,451	1,777	10.47	3.07	ASHRAE		
					QJS278K	19,500	5,714	1,789	10.90	3.19	ASHRAE		
					QJS282K	20,250	5,934	1,849	10.95	3.21	ASHRAE		
			1Φ,208-230V	QJ	QJ258K	18,200	5,333	1,670	10.90	3.19	ASHRAE		
					QJ278K	19,600	5,744	1,815	10.80	3.16	ASHRAE		
					QJ282K	19,850	5,817	1,825	10.88	3.19	ASHRAE		
	QP	QP325K		24,000	7,033	2,162	11.10	3.25	ASHRAE				
		QP362K		27,000	7,912	2,455	11.00	3.22	ASHRAE				
		QP390K		29,200	8,557	2,646	11.04	3.23	ASHRAE				
QV	QV325K	24,000	7,033	2,172	11.05	3.24	ASHRAE						
	QVS	QVS250K	18,150	5,319	1,592	11.40	3.34	ASHRAE					
	QVS348K	25,200	7,385	2,250	11.20	3.28	ASHRAE						
2 Piston	50Hz	1Φ,220/240V	QJT	QJT325P	19,300	5,656	1,771	10.90	3.19	ASHRAE			
				QJT348P	20,500	6,007	1,898	10.80	3.17	ASHRAE			
				QPT	QPT407K	30,100	8,821	2,736	11.00	3.22	ASHRAE		

Note 1 : Figures in the table are subject to change without prior notice for performance improvement.

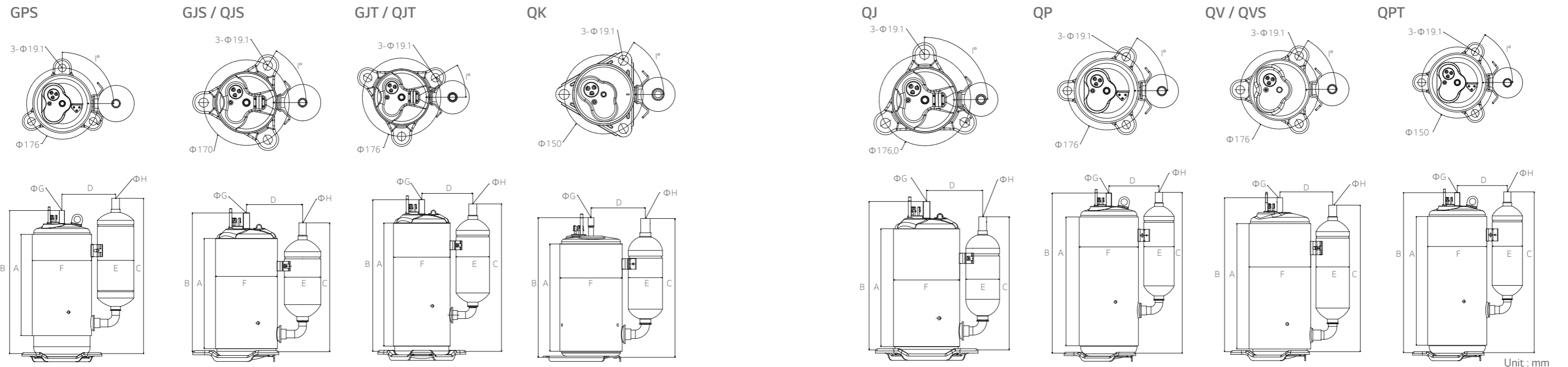
Note 2 :

Test condition	Condenser temperature	Evaporation temperature	Suction temperature	Sub cool
ASHRAE	54.4°C	7.2°C	35°C	8.3°C

Dimension							
A	B	C	D	E	F	G	H
250.0	328.0	361.3	132.5	90.0	145.4	9.70	16.0
250.0	353.3	383.4	132.5	90.0	145.4	9.70	16.0
242.0	303.1	308.2	113.8	75.0	127.3	9.70	12.8
271.1	328.9	320.9	115.5	75.0	127.3	9.70	16.0
242.0	302.6	257.2	108.0	65.0	127.3	9.70	12.8
225.0	286.3	287.8	109.6	75.0	118.2	8.06	12.8
217.0	255.6	253.6	93.7	50.8	118.2	8.06	9.7
233.7	294.8	269.6	115.5	75.0	127.3	9.70	12.8
255.7	313.5	295.5	115.5	75.0	127.3	9.70	12.8
250.0	316.3	308.4	123.7	75.0	145.4	9.70	16.0
250.0	327.3	308.4	123.7	75.0	145.4	9.70	16.0
250.0	341.5	357.4	132.8	90.0	145.4	9.70	16.0
250.0	327.3	341.4	123.7	75.0	145.4	9.70	16.0
250.0	327.3	341.4	123.7	75.0	145.4	9.70	16.0
250.0	327.3	341.4	123.7	75.0	145.4	9.70	16.0
261.7	335.8	334.4	120.1	75.0	132.1	9.70	16.0
275.0	353.0	345.0	123.7	75.0	145.4	9.70	16.0
233.7	284.3	258.3	107.5	65.0	127.3	9.70	12.8
233.7	315.0	303.5	115.5	75.0	127.3	9.70	12.8
250.7	308.5	297.0	115.5	75.0	127.3	9.70	12.8
233.7	291.5	256.5	107.5	65.0	127.3	9.70	16.0
233.7	298.0	302.0	115.5	75.0	127.3	9.70	12.8
233.7	251.3	296.2	113.0	75.0	127.3	9.10	16.0
250.0	327.3	341.4	123.7	75.0	145.4	9.70	16.0
239.0	317.0	345.0	123.7	75.0	145.4	9.70	16.0
239.0	316.3	341.4	123.7	75.0	145.4	9.70	16.0
266.7	334.8	294.7	120.1	75.0	132.1	9.70	16.0
256.5	329.6	315.8	120.1	75.0	132.1	9.70	16.0
256.5	322.5	315.8	120.1	75.0	132.1	9.70	16.0
276.7	332.2	345.0	114.0	75.0	127.3	9.70	12.8
276.7	341.0	341.6	125.5	90.0	127.3	9.70	16.0
309.3	386.6	413.5	133.4	90.0	145.4	9.70	16.0

* I : Custom angles are available upon request between 15° and 105°

* C, D, E, ΦG, ΦH : Dimensions may vary according to customer needs.



Unit : mm

Specification_ Constant speed (R134a, 1Piston)

Special application for Dryer, AWHP, Water heater

Refrigerant	Type	Frequency	Voltage	Series	Model	Cooling Capacity		Input	EER	COP	Test Condition
						Btu/hr	Watts				
R134a	1Piston	50Hz	1Φ,220/240V	EA	EA066P	4,420	1,295.2	373	11.85	3.47	Dryer condition
					EA078P	5,210	1,526.7	420	12.40	3.64	Dryer condition
					EA089P	6,000	1,758.2	480	12.50	3.66	Dryer condition
				EKS	EKS080P	5,150	1,509.2	423	12.17	3.57	Dryer condition
					EKS094P	6,000	1,758.2	496	12.10	3.54	Dryer condition
					EKS120P	7,650	2,241.8	634	12.07	3.54	Dryer condition
		60Hz	1Φ,208-230V	EKS094K	7,250	2,124.5	594	12.21	3.58	Dryer condition	
				1Φ,115V	EKS094C	7,450	2,183.2	621	12.00	3.52	Dryer condition

Note 1 : Figures in the table are subject to change without prior notice for performance improvement.

Note 2 :

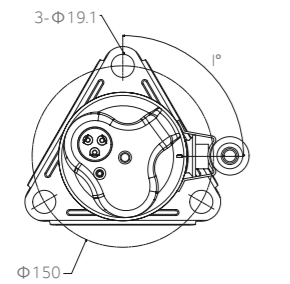
Test condition	Condenser temperature	Evaporation temperature	Suction temperature	Sub cool
Dryer condition	71.0°C	23.0°C	35°C	24.9°C

Dimension							
A	B	C	D	E	F	G	H
166.8	229.7	199.9	87.0	31.8	106.2	8.06	9.7
166.8	229.7	199.9	87.0	31.8	106.2	8.06	9.7
166.8	229.7	199.9	87.0	31.8	106.2	8.06	9.7
180.0	241.3	209.6	94.5	31.8	118.2	8.06	9.7
174.0	241.3	209.6	94.5	31.8	118.2	8.06	9.7
174.0	241.3	209.6	93.7	50.8	118.2	8.06	9.7
174.0	240.0	208.0	94.5	31.8	118.2	8.06	9.7
180.0	262.6	209.6	94.5	31.8	118.2	8.06	9.7

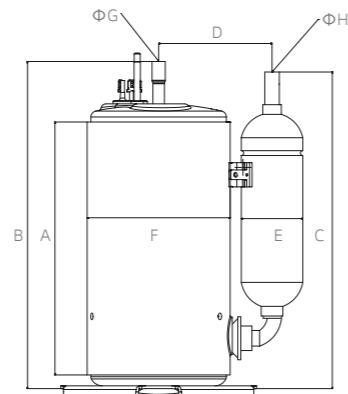
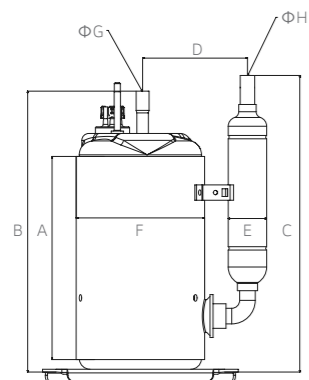
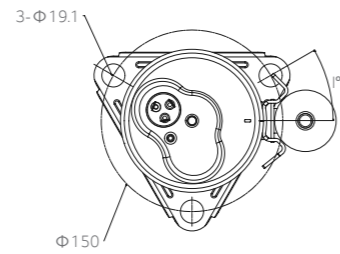
* I : Custom angles are available upon request between 15° and 105°

* C, D, E, ΦG, ΦH : Dimensions may vary according to customer needs.

EA



EKS



Specification_Inverter (R410A, R32 / 1Piston, 2Piston, 2Stage)

Refrigerant	Type	Series	Model	Magnet	Power	Cooling Capacity		Input	EER	COP	Test Condition @60Hz
						Btu/hr	Watts				
R410A	1Piston	GA	GA092MA	NdFeB	DC280V	10,095	2,958	870	11.6	3.4	ASHRAE
			GA092MC	NdFeB		10,095	2,958	893	11.3	3.3	ASHRAE
			GA092MM	NdFeB		10,095	2,958	926	10.9	3.2	ASHRAE
			GA102MK	NdFeB		10,900	3,194	940	11.6	3.4	ASHRAE
			GA102MA	NdFeB		10,950	3,209	961	11.4	3.3	ASHRAE
			GA102MD	NdFeB		10,850	3,179	960	11.3	3.3	ASHRAE
			GA072MF	Ferrite		7,600	2,227	685	11.1	3.3	ASHRAE
			GA102MF	Ferrite		11,000	3,223	974	11.3	3.3	ASHRAE
	2Piston	GKT	GKT128MF	Ferrite	DC280V	13,600	3,985	1,236	11.0	3.2	ASHRAE
			GKT128MA	NdFeB		13,400	3,927	1,196	11.2	3.3	ARI
			GKT141MA	NdFeB		14,600	4,278	1,300	11.2	3.3	ARI
		GKT	GKT141MB	NdFeB	DC380V	14,600	4,278	1,327	11.0	3.2	ARI
			GKT176MA	NdFeB		18,800	5,509	1,649	11.4	3.3	ARI
			GKT176MB	NdFeB		18,800	5,509	1,694	11.1	3.3	ARI
			GKT176MF	Ferrite		19,000	5,568	1,727	11.0	3.2	ARI
			GKT208MA	NdFeB		22,200	6,505	2,018	11.0	3.2	ARI
			GJT240MA	NdFeB		25,300	7,414	2,280	11.1	3.3	ARI
		GJT	GJT240MB	NdFeB	DC380V	25,300	7,414	2,342	10.8	3.2	ARI
			GJT325MA	NdFeB		35,200	10,315	3,114	11.3	3.3	ARI
			GPT330MA	NdFeB		35,200	10,315	3,114	11.3	3.3	ARI
GPT	GPT442MA	NdFeB	DC380V	47,500	13,919	4,241	11.2	3.3	ARI		
	GPT442MB	NdFeB		47,500	13,919	4,241	11.2	3.3	ARI		
	GJD240MA	NdFeB		DC520V	25,600	7,502	2,415	10.6	3.1	ARI	
	GPD420MA	NdFeB			47,300	13,861	4,380	10.8	3.2	ARI	
	DA072MF	Ferrite			DC280V	7,900	2,315	731	10.8	3.2	ASHRAE
	DA102MF	Ferrite				11,450	3,355	1,032	11.1	3.3	ASHRAE
DA102MJ	NdFeB	11,450	3,355			1,004	11.4	3.3	ASHRAE		
2Piston	DKT	DKT141MB	NdFeB			DC280V	15,400	4,513	1,403	11.0	3.2
		DKT208MA	NdFeB	DC380V		23,400	6,857	2,127	11.0	3.2	ARI
		DPT442MA	NdFeB	DC520V		50,500	14,799	4,510	11.2	3.3	ARI

Note 1 : Figures in the table are subject to change without prior notice for performance improvement.

Note 2 :

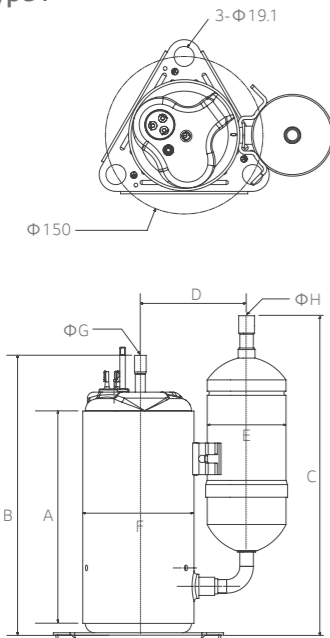
Test condition	Condenser temperature	Evaporation temperature	Suction temperature	Sub cool
ASHRAE	54.4°C	7.2°C	35°C	8.3°C
ARI	54.4°C	7.2°C	18.3°C	8.3°C

Range (rps)	Dimension								Type
	A	B	C	D	E	F	G	H	
15-110	168.0	232.7	266.7	94.0	65.0	106.2	8.1	12.8	I
15-110	168.0	232.6	247.1	96.8	75.0	106.2	8.1	12.8	I
15-110	168.0	232.7	246.2	96.8	75.0	106.2	8.1	12.8	I
15-120	212.0	274.9	303.4	96.8	75.0	106.2	8.1	12.8	I
15-120	168.0	232.7	246.2	96.8	75.0	106.2	8.1	12.8	I
15-120	212.0	274.9	303.4	96.8	75.0	106.2	8.1	9.7	I
15-120	202.0	266.7	246.2	101.9	75.0	106.2	8.1	12.8	I
15-120	202.0	266.3	305.4	101.9	75.0	106.2	8.1	12.8	I
10-100	261.7	322.0	331.0	109.6	75.0	118.2	9.7	12.8	I
10-100	269.7	330.0	331.3	109.6	75.0	118.2	9.7	12.8	I
10-100	264.7	335.7	349.5	118.7	90.0	118.2	9.7	12.8	I
10-100	249.7	310.0	338.8	118.7	90.0	118.2	9.7	12.8	I
10-100	269.7	320.0	328.8	118.7	90.0	118.2	9.7	12.8	II
10-80	218.5	279.5	339.5	118.7	90.0	118.2	9.7	12.8	II
10-100	269.7	320.0	328.8	118.7	90.0	118.2	9.7	12.8	II
10-110	238.5	299.5	346.5	109.6	75.0	118.2	9.7	12.8	II
10-110	271.1	352.7	324.2	108.0	31.8	127.3	9.7	16.0	II
10-110	251.1	332.7	365.7	114.2	75.0	127.3	9.7	16.0	II
10-110	276.7	358.3	357.9	123.6	90.0	127.3	9.7	16.0	II
15-100	259.6	385.2	412.1	132.0	90.0	145.4	12.8	16.0	II
15-100	259.6	363.8	335.5	116.8	31.8	145.4	12.8	19.2	II
15-100	259.6	363.8	335.5	116.8	31.8	145.4	12.8	19.2	II
20-100	318.0	383.0	361.0	179.0	75.0	127.3	9.7	19.2	II
35-100	305.0	407.7	376.5	124.0	75.0	145.4	12.8	19.2	II
10-120	202.0	266.3	246.2	101.9	75.0	106.2	8.1	12.8	I
10-120	202.0	266.7	304.2	101.9	75.0	106.2	8.1	12.8	I
10-120	202.0	266.7	304.2	101.9	75.0	106.2	8.1	12.8	I
10-100	249.7	310.0	338.8	118.7	90.0	118.2	9.7	12.8	I
10-110	238.5	299.5	346.5	109.6	75.0	118.2	9.7	12.8	II
15-100	259.6	363.8	335.5	116.8	31.8	145.4	12.8	19.2	II

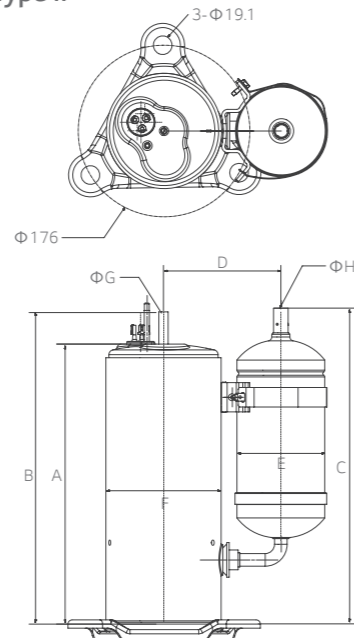
* I : Custom angles are available upon request between 15° and 105°

* C, D, E, ΦG, ΦH : Dimensions may vary according to customer needs.

Type I



Type II



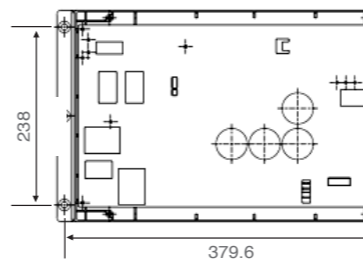
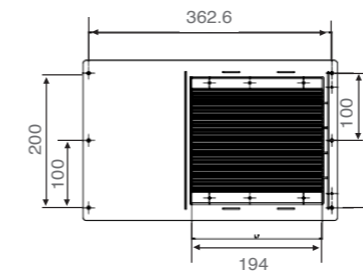
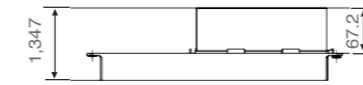
Specification_Drive

Contents		4kW Drive	6kW Drive	
Drive	1	Model name (P/No.)	PDR040K010 / 020	PDR060K010 / 020
	2	Rated input voltage	1Φ, 208-230Vac, 50/60Hz	1Φ, 208-230Vac, 50/60Hz
	3	Maximum input current	18Arms	29Arms
	4	Maximum input power	4,000 W	6,000 W
	5	Operating compressor Hz	20 ~ 70Hz	20 ~ 70Hz
	6	Converter type / boost up voltage	PFC / 380Vdc	PFC / 380Vdc
	7	PFC ON/OFF Control	Based on Input power 900 / 600 W *1	Based on Input power 900 / 600 W *1
	8	Compressor connection color	Red (U) / Yellow (V) / Blue (W)	Red (U) / Yellow (V) / Blue (W)
	9	Ambient operating temperature	-20°C ~ 48°C	-20°C ~ 48°C
	10	Storage temperature	-40°C ~ 60°C	-40°C ~ 60°C
	11	Max. storage relative humidity	85%	85%

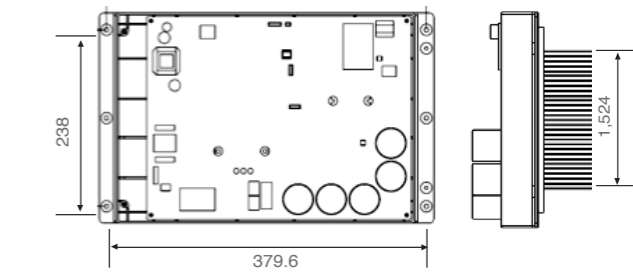
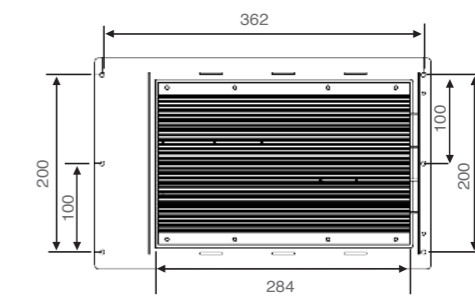
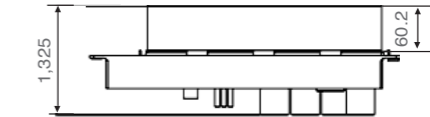
Contents		4kW Drive	6kW Drive	
Reactor	1	Model name (P/No.)	PDR040K030	PDR060K030
	2	Rated input voltage	1Φ, 208-230Vac, 50/60Hz	1Φ, 208-230Vac, 50/60Hz
	3	Maximum input current	18Arms	29Arms
	4	Inductance at 20KHz, 1VAC (20°C)	200μH ± 15%	450μH Min

Contents		4kW Drive	6kW Drive	
Noise filter	1	Model name (P/No.)	-	PDR060K040
	2	Rated input voltage	-	1Φ, 220-240Vac, 50/60Hz
	3	Maximum input current	-	29Arms
	4	Inductance at 1KHz, 1Vac (20°C)	-	4.03mH Min. (Synthetic inductance)

4 kW Drive



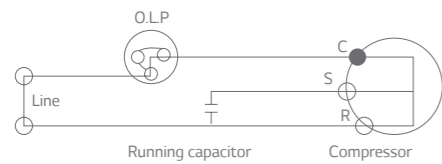
6 kW Drive



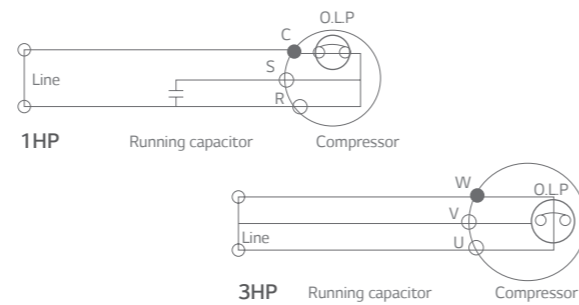
Unit : mm

Wiring Diagram

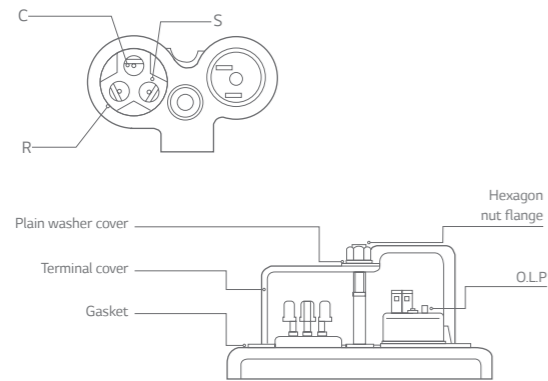
for External O.L.P



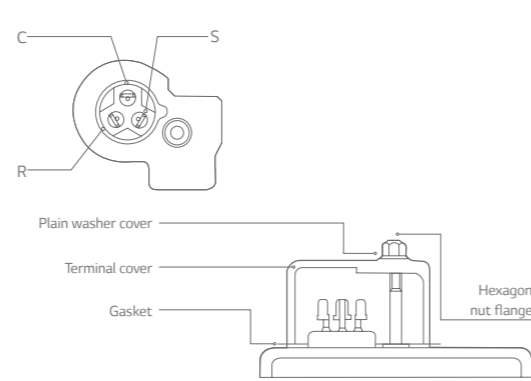
for Internal O.L.P



Cover Terminal Fitting

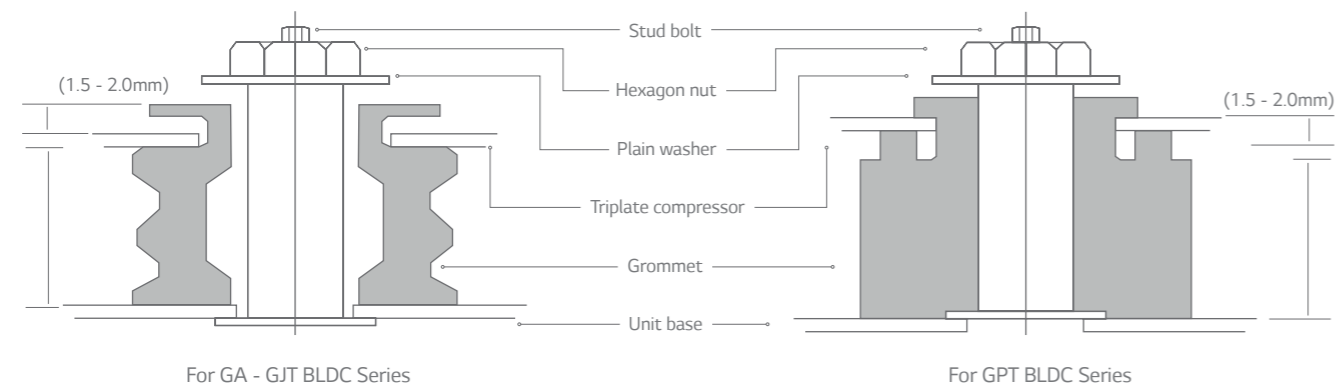


Cover Terminal Fitting



*O.L.P : Over Load Protector

Mounting



Accessory Part

Series	Standard accessory					Optional accessory		
	Terminal cover	Gasket	Plain washer	Hexagon nut	Grommet	Stud bolt	Plain washer	Nut
EA	①	③	⑤	⑥	⑦	⑩	⑪	⑫
GA / DA / GK / GKT / GJT	①	③	⑤	⑥	⑦	⑩	⑪	⑫
GPT	①	③	⑤	⑥	⑦	⑩	⑪	⑫
EKS / GKS / GJ / QK / GK / NK / QKS / QKT / QP	②	④	⑤	⑥	⑧	⑩	⑪	⑫

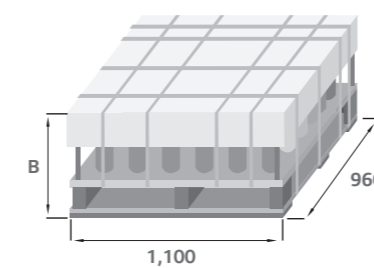


Packing & Container Stuffing Quantity

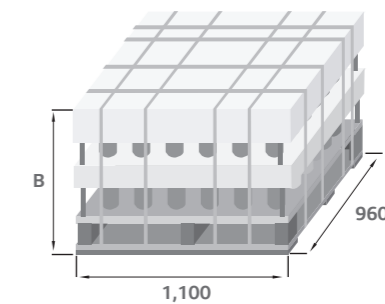
Items	1 Step pallet		2 Step pallet		1 Container (20ft)				
	Packing quantity	Size	Packing quantity	Size	Packing quantity	Pallet quantity			
		B		B		1step	2 step	Accessory	Total
DA / EA / GA	20	430	40	610 ↑	1420	1	35	1	37
DA / GA	20	430	40	610	1420	1	35	1	37
DJT / GJT	20	510	40	740 ↑	860	3	20	1	24
DKT / GKT	16	420	32	810	752	1	23	1	25
DPT / GPT	16	520	32	740 ↑	560	11	12	1	24
EKS / GK / NK / QK	20	420	40	645	1160	12	23	1	36
GJ / NJ / QJ	20	370	40	740 ↑	940	1	23	1	25
GP / NP / QP	16	520	32	920 ↑	688	3	20	1	24

Note : Packing conditions are subjects to change without notice.

1 Step pallet



2 Steps pallet



Unit : mm

Scroll Compressor



Product Range

Constant speed

Capacity [RT, Tonnage] (1RT=12kBtu/h=3.5kw)	1.5	2	2.5	3	3.5	4	5	6	7	8
LSS (R410A)	●		●		●		●		●	
Constand Speed (R22)	●		●		●		●		●	
HSS(R410A)	●		●		●		●		●	

Inverter

Capacity [RT, Tonnage] (1RT=12kBtu/h=3.5kw)	1.5	2	2.5	3	3.5	4	5	6	7	8
LSS BLDC	●		●		●		●		●	
Inverter (R410A) LSS SynRM	●		●		●		●		●	
HSS BLDC	●		●		●		●		●	

LSS : Low Side Shell BLDC : Brushless DC HSS : High Side Shell SynRM : Synchronous Reluctance Motor

Nomenclature

A P A 026 D A A

Refrigerant

Type	Series	Ref
LSS	A	R410A
HSS	J	R410A
LSS	S	R22

Compressor size (unit : mm)

B : Φ160 Q : Φ147
G : Φ224 R : Φ179
P : Φ139

Generation code (A-Z)

Capacity
(Btu/Hr x 1,000) @ 60Hz

Exterior specification (A-Z)
* Z : R22 or R407c, POE oil

Motor specification (A-Z)

Motor code

Series	Power source (V)		Motor
	Phase(Φ)	V	
K	1	208-230	60 Constant
P	1	220-240	50 Constant
R	3	208-230	60 Constant
S	3	460	60 Constant
T	3	575	60 Constant
U	3	380	60 Constant
W	3	460	60 Constant
		380-420	50 Constant
Y	3	380-420	50 Constant
D	BLDC Inverter		BLDC / Distributed
M	BLDC Inverter		BLDC / Distributed

Specification_Constant speed (R410A, LSS)

Refrigerant	Type	Frequency	Voltage	Series	Model	ARI					
						Cooling Capacity		Input	EER	COP	
						Btu/hr	Watts	Watts	Btu/W.hr	W/W	
R410A	LSS	50Hz	1φ, 220/240V	AQA	AQA028PA	23,265	6,819	2,557	9.1	2.67	
					AQA036PA	29,700	8,705	3,264	9.1	2.67	
					AQA042PA	34,403	10,083	3,781	9.1	2.67	
				ARA	ARA049PA	41,500	12,163	4,280	9.7	2.84	
					AQ	AQ042YA	34,900	10,229	3,579	9.8	2.86
					AR	AR061YA	50,100	14,683	5,330	9.4	2.75
						AR073YA	61,000	17,878	6,289	9.7	2.84
			AR081YA	68,300		20,018	7,041	9.7	2.84		
			3φ, 380/420V	ARA	ARA049YA	42,000	12,309	4,118	10.2	2.99	
					ARA061YA	51,500	15,094	5,049	10.2	2.99	
					ARA068YA	58,500	17,145	5,680	10.3	3.02	
				APA	APA016KA	15,200	4,455	1,634	9.3	2.73	
					APA20KA	19,500	5,715	2,010	9.7	2.84	
					APA24KA	22,500	6,594	2,344	9.6	2.81	
		APA26KA			24,500	7,181	2,450	10.0	2.93		
		60Hz	1φ, 208-230V	APB	APB016KA	15,200	4,455	1,634	9.3	2.73	
					APB020KA	19,500	5,715	2,010	9.7	2.84	
					APB024KA	22,500	6,594	2,320	9.7	2.84	
				AQA	APA29KA	28,500	8,353	2,850	10.0	2.93	
					APA30KA	29,000	8,499	2,929	9.9	2.90	
					APA32KA	30,500	8,939	3,020	10.1	2.96	
					APA034KA	34,100	9,994	3,410	10.0	2.93	
			3φ, 380/420V	APB	APB026KA	24,500	7,181	2,450	10.0	2.93	
					APB026KA	24,500	7,181	2,450	10.0	2.93	
					APB026KA	24,500	7,181	2,450	10.0	2.93	
				AQA	AQA034KA	34,100	9,994	3,410	10.0	2.93	
					AQA036KA	36,000	10,551	3,462	10.4	3.05	
					AQA038KA	37,700	11,049	3,625	10.4	3.05	
AQA039KA	39,000				11,430	3,750	10.4	3.05			
AQA040KA	40,000	11,723	3,846	10.4	3.05						
AQA042KA	41,500	12,163	3,952	10.5	3.08						

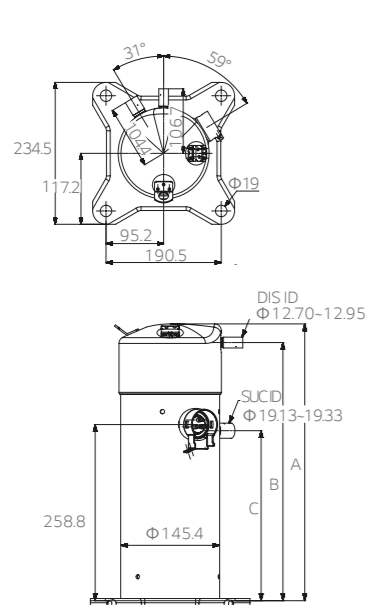
Note 1 : Figures in the table are subject to change without prior notice for performance improvement.

Note 2 :

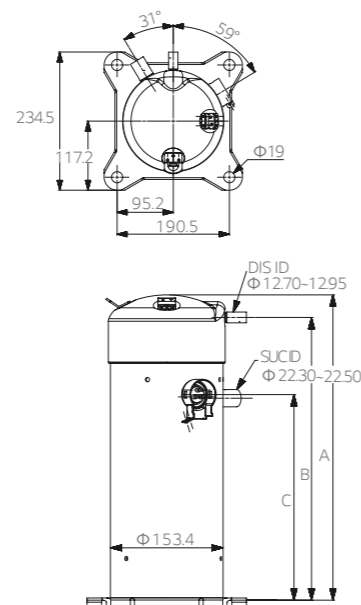
Test condition	Condenser temperature	Evaporation temperature	Suction temperature	Sub cool
ARI	54.4°C	7.2°C	18.3°C	8.3°C
CHEER	37.8°C	7.2°C	18.3°C	8.3°C

Note 3 : LSS (Low Side Shell)

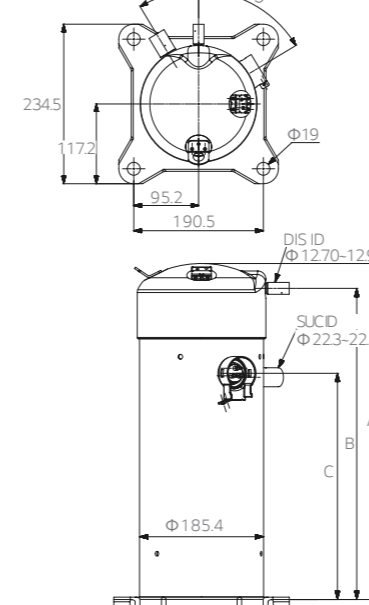
APA / APB



AQA / AQ



AR / ARA



CHEER					Dimension		
Cooling Capacity		Input	EER	COP	A	B	C
Btu/hr	Watts	Watts	Btu/W.hr	W/W			
-	-	-	-	-	398	374	286
-	-	-	-	-	398	374	286
-	-	-	-	-	398	374	286
-	-	-	-	-	465	435	330
-	-	-	-	-	399	377	287
-	-	-	-	-	446	417	315
-	-	-	-	-	446	417	315
-	-	-	-	-	446	417	315
-	-	-	-	-	465	435	330
-	-	-	-	-	459	431	330
-	-	-	-	-	459	431	330
-	-	-	-	-	459	431	330
-	-	-	-	-	459	431	330
-	-	-	-	-	459	431	330
18,700	5,481	1,081	17.3	5.07	407	379	259
24,000	7,034	1,333	18.0	5.28	407	379	259
27,675	8,111	1,546	17.9	5.25	407	379	259
30,100	8,822	1,645	18.3	5.36	407	379	259
35,055	10,274	1,875	18.7	5.48	407	379	259
36,500	10,698	1,931	18.9	5.54	407	379	259
38,300	11,225	1,995	19.2	5.63	407	379	259
18,700	5,481	1,069	17.5	5.13	407	379	259
24,000	7,034	1,333	18.0	5.28	407	379	259
27,675	8,111	1,538	18.0	5.28	407	379	259
30,100	8,822	1,645	18.3	5.36	407	379	259
42,800	12,544	2,206	19.4	5.69	444	417	304
44,280	12,978	2,271	19.5	5.72	444	417	304
44,700	13,101	2,292	19.5	5.72	444	417	304
48,000	14,068	2,462	19.5	5.72	444	417	304
49,200	14,420	2,485	19.8	5.80	454	427	314
51,400	15,064	2,622	19.6	5.74	444	417	304

Specification_ Constant speed (R410A, LSS)

Refrigerant	Type	Frequency	Voltage	Series	Model	ARI				
						Cooling Capacity		Input	EER	COP
						Btu/hr	Watts	Watts	Btu/W.hr	W/W
R410A	LSS	60Hz	1φ, 208-230V	ABA	ABA034KA	34,500	10,111	3,382	10.2	2.99
					ABA036KA	36,500	10,698	3,510	10.4	3.05
					ABA039KA	39,500	11,577	3,762	10.5	3.08
					ABA042KA	42,500	12,456	4,048	10.5	3.08
					ABA049KA	49,000	14,361	4,623	10.6	3.11
					ABA051KA	51,500	15,094	4,858	10.6	3.11
			3φ, 208-230V	APA	APA032RA	29,800	8,734	3,010	9.9	2.90
					AQA042RA	41,500	12,163	3,952	10.5	3.08
					ABA051RA	51,500	15,094	4,813	10.7	3.14
				ABA	ABA054RA	54,500	15,973	5,093	10.7	3.14
					AR081UA	81,500	23,886	8,316	9.8	2.87
					AG182UA	182,000	53,340	16,400	11.1	3.25
			3φ, 380V	AR	AR081UA	81,500	23,886	8,316	9.8	2.87
					AG154UA	154,000	45,130	13,870	11.1	3.25
					AG182UA	182,000	53,340	16,400	11.1	3.25
				APA	APA032TA	29,800	8,734	3,010	9.9	2.90
					AQA042TA	41,500	12,163	3,952	10.5	3.08
					ABA051TA	51,000	14,947	4,811	10.6	3.11
		3φ, 575V	ABA	ABA054TA	54,500	15,973	5,093	10.7	3.14	
				APA032WA	23,300 / 30,000	6,829 / 8,792	2,533 / 3,030	9.2 / 9.9	2.70 / 2.90	
				AQA042WA	32,300 / 41,500	9,467 / 12,163	3,365 / 3,952	9.6 / 10.5	2.81 / 3.08	
			ABA	ABA051WA	42,500 / 51,500	12,456 / 15,094	4,009 / 4,830	10.6 / 10.7	3.11 / 3.14	
				ABA054WA	44,400 / 54,000	13,011 / 15,826	4,353 / 5,143	10.2 / 10.5	2.99 / 3.08	
				ARA073WA	62,000 / 75,500	18,171 / 22,128	5,794 / 6,990	10.7 / 10.7	3.14 / 3.14	
50/60Hz	3φ, 380/420V, 50Hz / 3φ, 460V, 60Hz	ARA	ARA081WA	68,000 / 83,000	19,930 / 24,326	6,355 / 7,757	10.7 / 10.7	3.14 / 3.14		

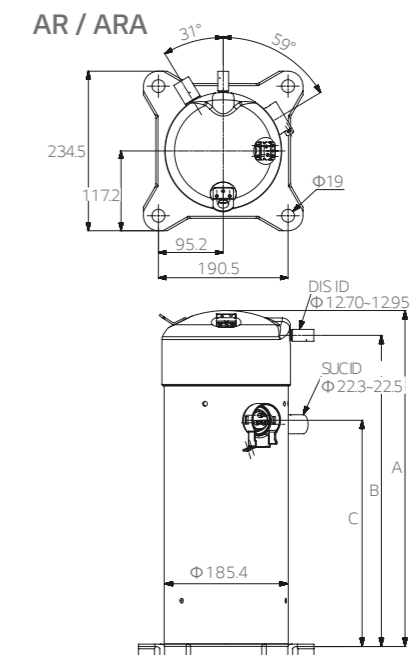
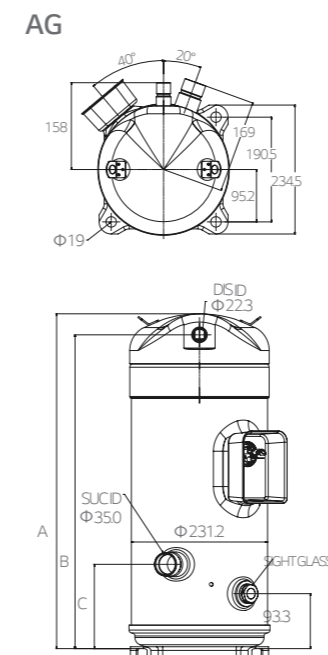
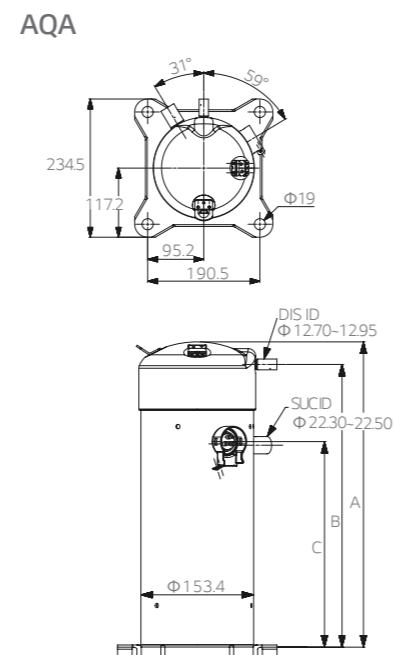
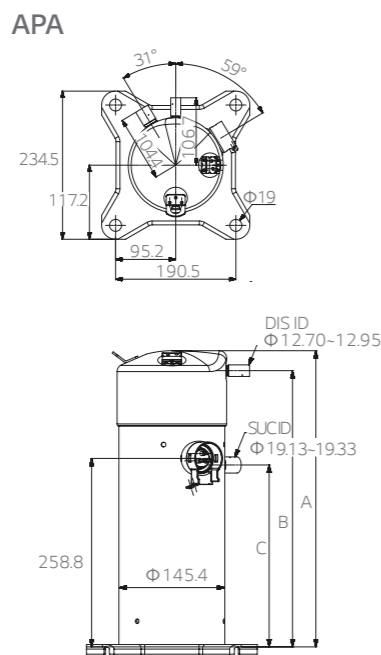
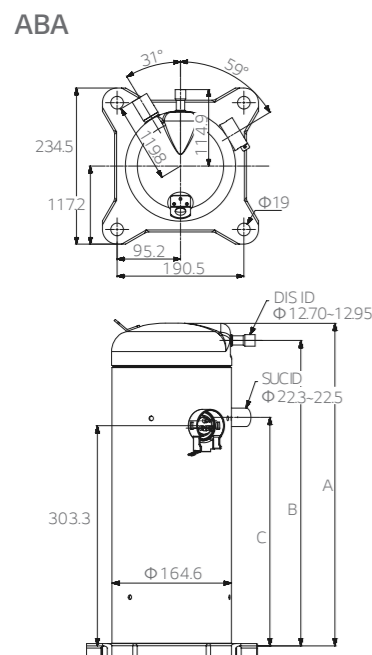
Note 1 : Figures in the table are subject to change without prior notice for performance improvement.

Note 2 :

Test condition	Condenser temperature	Evaporation temperature	Suction temperature	Sub cool
ARI	54.4°C	7.2°C	18.3°C	8.3°C
CHEER	37.8°C	7.2°C	18.3°C	8.3°C

Note 3 : LSS (Low Side Shell)

Cooling Capacity	Input	EER	COP	Dimension			
				A	B	C	
				Btu/hr	Watts	Watts	Btu/W.hr
42,700	12,515	2,224	19.2	5.63	449	416	302
45,000	13,189	2,320	19.4	5.69	449	416	302
52,000	15,240	2,680	19.4	5.69	449	416	302
52,000	15,240	2,680	19.4	5.69	449	416	302
52,000	17,233	2,680	19.4	5.69	449	416	302
63,000	18,464	3,231	19.5	5.72	449	416	302
66,500	19,490	3,446	19.3	5.66	449	416	302
37,600	11,020	1,979	19.0	5.57	407	379	259
51,400	15,064	2,596	19.8	5.80	444	417	304
63,000	18,464	3,198	19.7	5.77	449	416	302
67,000	19,637	3,401	19.7	5.77	449	416	302
-	-	-	-	-	446	417	315
-	-	-	-	-	568	533	143
-	-	-	-	-	568	533	143
37,600	11,020	1,979	19.0	5.57	407	379	259
51,400	15,064	2,570	20.0	5.86	444	417	304
63,000	18,464	3,198	19.7	5.77	449	416	302
67,000	19,637	3,384	19.8	5.80	449	416	302
-	-	-	-	-	407	379	259
-	-	-	-	-	444	417	304
-	-	-	-	-	449	416	302
-	-	-	-	-	449	416	302
-	-	-	-	-	466	437	330
-	-	-	-	-	466	437	330



Unit : mm

Specification_Constant speed (R22, LSS)

Refrigerant	Type	Frequency	Voltage	Series	Model	ARI				
						Cooling Capacity		Input	EER	COP
						Btu/hr	Watts	Watts	Btu/W.hr	W/W
R22	LSS	50Hz	1Φ, 220/240V	SQ	SQ038PA	30,800	9,027	2,860	10.8	3.17
					SQ042PA	34,200	10,023	3,138	10.9	3.19
					SQ042PB	34,200	10,023	3,138	10.9	3.19
					SQ042PC	34,300	10,053	3,295	10.4	3.05
				SQ	SQ042YA	34,000	9,965	3,148	10.8	3.17
				SB	SBB061YA	50,800	14,889	4,660	10.9	3.19
					SBA049YA	40,900	12,000	3,466	11.8	3.46
					SBA052YA	43,700	12,807	3,703	11.8	3.46
					SBA057YA	47,600	13,950	4,033	11.8	3.46
					SBA061YA	50,700	14,859	4,296	11.8	3.46
			SBA049YB		40,900	12,000	3,556	11.5	3.37	
			SBA	SBA052YB	43,700	12,807	3,800	11.5	3.37	
				SBA057YB	47,600	13,950	4,140	11.5	3.37	
				SBA061YB	50,700	14,859	4,408	11.5	3.37	
				SBB	SBB052YA	43,700	12,807	3,611	12.1	3.55
					SBB052YB	43,700	12,807	3,703	11.8	3.46
				SR	SR049YA	41,500	12,163	3,807	10.9	3.19
			SR055YA		46,500	13,628	4,227	11.0	3.22	
			SR061YA		49,500	14,508	4,500	11.0	3.22	
			SR073YA		58,500	17,145	5,320	11.0	3.22	
SR081YA	64,000	18,757	5,981		10.7	3.14				

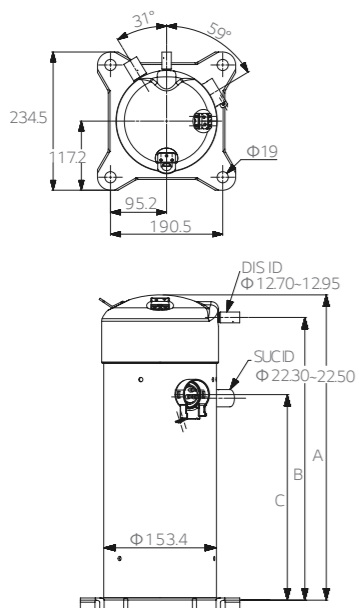
Note 1 : Figures in the table are subject to change without prior notice for performance improvement.

Test condition	Condenser temperature	Evaporation temperature	Suction temperature	Sub cool
ARI	54.4°C	7.2°C	18.3°C	8.3°C

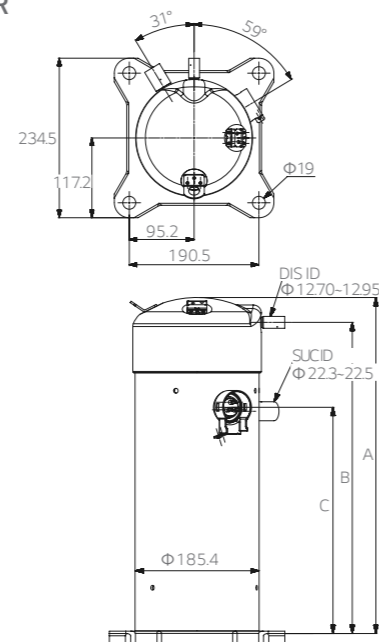
Note 3 : LSS (Low Side Shell)

CHEER					Dimension		
Cooling Capacity		Input	EER	COP	A	B	C
Btu/hr	Watts	Watts	Btu/W.hr	W/W			
-	-	-	-	-	397	374	281
-	-	-	-	-	404	381	273
-	-	-	-	-	404	381	273
-	-	-	-	-	404	381	273
-	-	-	-	-	404	381	273
-	-	-	-	-	435	411	315
-	-	-	-	-	445	421	315
-	-	-	-	-	445	421	315
-	-	-	-	-	445	421	315
-	-	-	-	-	445	421	315
-	-	-	-	-	445	421	315
-	-	-	-	-	445	421	315
-	-	-	-	-	445	421	315
-	-	-	-	-	445	421	315
-	-	-	-	-	445	421	315
-	-	-	-	-	445	421	315
-	-	-	-	-	445	421	315
-	-	-	-	-	467	438	330
-	-	-	-	-	467	438	330
-	-	-	-	-	467	438	330
-	-	-	-	-	467	438	330
-	-	-	-	-	467	438	330
-	-	-	-	-	467	438	330

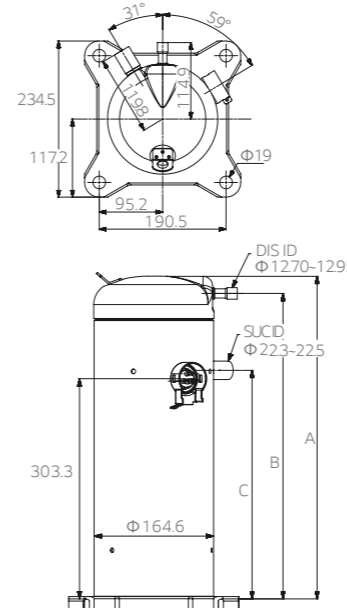
SQ / SQA



SR



SB / SBB / SBA



Specification_Constant speed (R22, LSS)

Refrigerant	Type	Frequency	Voltage	Series	Model	ARI					
						Cooling Capacity		Input	EER	COP	
						Btu/hr	Watts	Watts	Btu/W.hr	W/W	
R22	LSS	60Hz	1Φ, 208-230V	SQ	SQ028KC	28,500	8,353	2,545	11.2	3.28	
					SQ032KB	32,200	9,437	2,955	10.9	3.19	
					SQ036KE	36,600	10,727	3,210	11.4	3.34	
					SQ036KF	36,100	10,580	3,311	10.9	3.19	
					SQ042KA	40,500	11,870	3,750	10.8	3.17	
					SQA022KA	21,500	6,301	1,955	11.0	3.22	
				SQA	SQA026KA	25,900	7,591	2,355	11.0	3.22	
					SQA032KA	32,300	9,467	2,910	11.1	3.25	
					SQA038KA	37,000	10,844	3,333	11.1	3.25	
					SQA042KA	41,200	12,075	3,712	11.1	3.25	
					SR	SR047KB	47,600	13,951	4,327	11.0	3.22
						SR049KA	50,500	14,801	4,591	11.0	3.22
			SR057KC	58,000		16,999	5,370	10.8	3.17		
			SR061KA	62,000		18,171	5,636	11.0	3.22		
			SRA	SRA053KA		53,500	15,680	4,734	11.3	3.31	
			3Φ, 208-230V	SQ		SQ036RA	35,500	10,404	3,287	10.8	3.17
					SQ042RA	40,500	11,870	3,716	10.9	3.19	
					SBA	SBA049RA	48,100	14,100	4,182	11.5	3.37
						SBA052RA	51,900	15,200	4,513	11.5	3.37
						SBA057RA	56,100	16,442	4,878	11.5	3.37
						SBA061RA	59,900	17,556	5,209	11.5	3.37
				SR	SR049RA	49,500	14,508	4,625	10.7	3.14	
					SR061RB	62,000	18,171	5,538	11.2	3.28	
					SR071RA	71,000	20,809	6,455	11.0	3.22	
SR081RA	78,000	22,860			7,156	10.9	3.19				

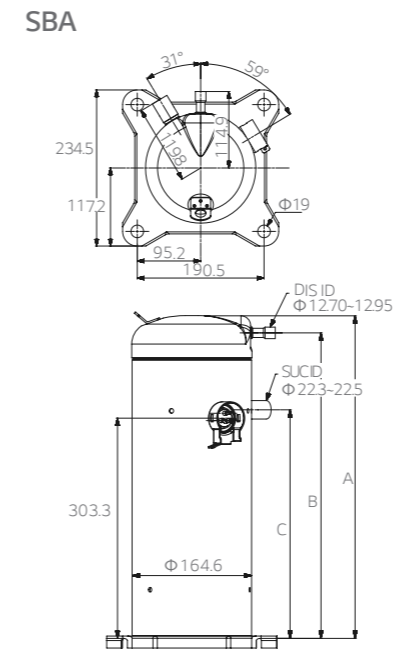
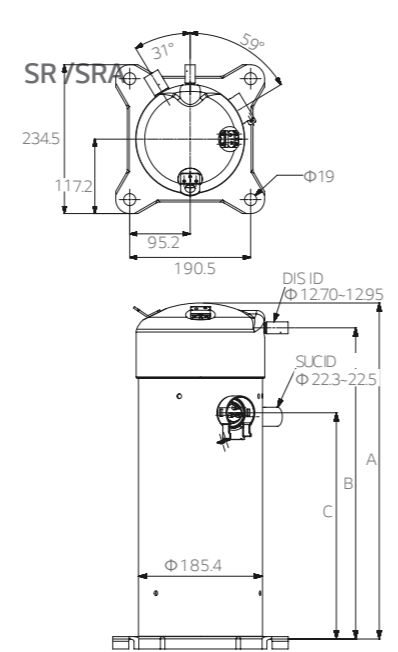
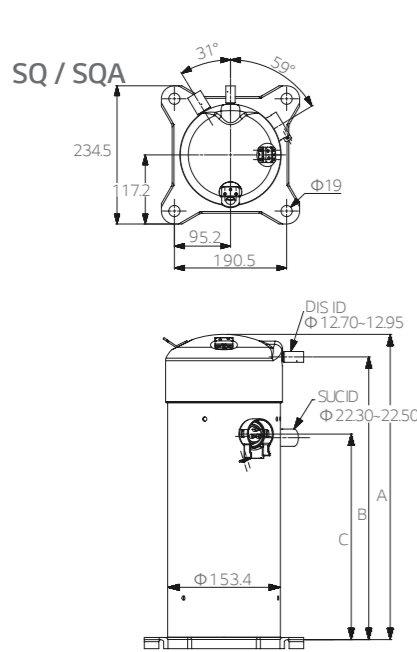
Note 1 : Figures in the table are subject to change without prior notice for performance improvement.

Note 2 :

Test condition	Condenser temperature	Evaporation temperature	Suction temperature	Sub cool
ARI	54.4°C	7.2°C	18.3°C	8.3°C

Note 3 : LSS (Low Side Shell)

CHEER					Dimension		
Cooling Capacity		Input	EER	COP	A	B	C
Btu/hr	Watts	Watts	Btu/W.hr	W/W			
-	-	-	-	-	404	381	273
-	-	-	-	-	404	381	273
-	-	-	-	-	404	381	273
-	-	-	-	-	404	381	273
-	-	-	-	-	404	381	273
-	-	-	-	-	419	391	282
-	-	-	-	-	419	391	282
-	-	-	-	-	419	391	282
-	-	-	-	-	419	391	282
-	-	-	-	-	419	391	282
-	-	-	-	-	419	391	282
-	-	-	-	-	419	391	282
-	-	-	-	-	419	391	282
-	-	-	-	-	467	438	330
-	-	-	-	-	467	438	330
-	-	-	-	-	467	438	330
-	-	-	-	-	467	438	330
-	-	-	-	-	467	438	330
-	-	-	-	-	467	438	330
-	-	-	-	-	467	438	330
-	-	-	-	-	467	438	330
-	-	-	-	-	467	438	330
-	-	-	-	-	467	438	330
-	-	-	-	-	467	438	330



Specification_Constant speed (R22, LSS)

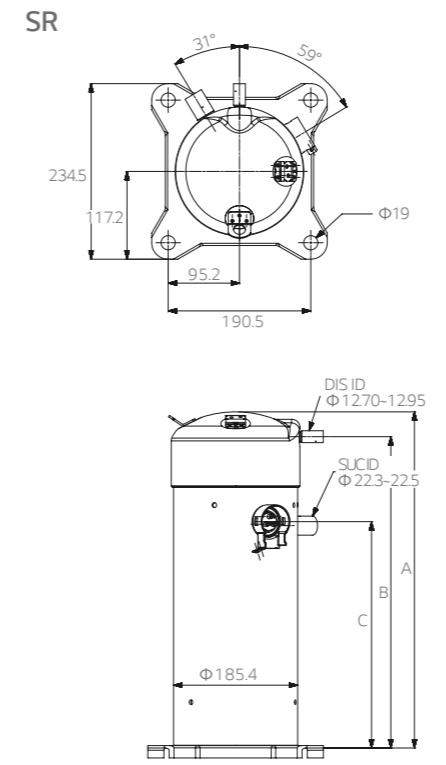
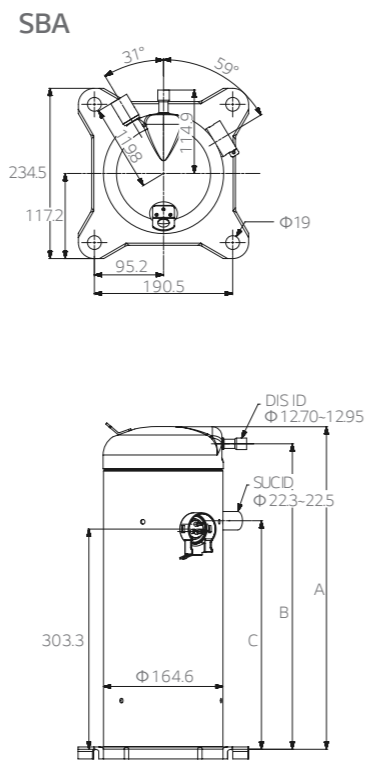
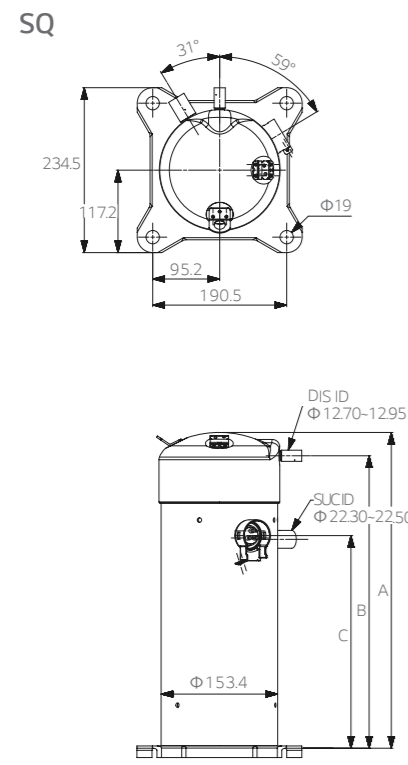
Refrigerant	Type	Frequency	Voltage	Series	Model	ARI				
						Cooling Capacity		Input	EER	COP
						Btu/hr	Watts	Watts	Btu/W.hr	W/W
R22	LSS	60Hz	3Φ, 380V	SQ	SQ028UA	28,500	8,353	2,639	10.8	3.17
					SQ036UA	36,000	10,551	3,333	10.8	3.17
					SQ042UA	41,000	12,016	3,796	10.8	3.17
				SBA	SBA049UA	48,100	14,100	4,182	11.5	3.37
					SBA052UA	52,000	15,240	4,520	11.5	3.37
					SBA057UA	56,100	16,442	4,878	11.5	3.37
				SR	SBA061UA	59,700	17,497	5,191	11.5	3.37
					SR047UA	47,600	13,951	4,327	11.0	3.22
					SR049UB	49,500	14,508	4,540	10.9	3.19
			3Φ, 460V	SR	SR049UC	49,500	14,508	4,540	10.9	3.19
					SR053UA	53,000	15,533	4,818	11.0	3.22
					SR061UA	61,500	18,025	5,590	11.0	3.22
				SR	SR071UA	71,000	20,809	6,455	11.0	3.22
					SR081UA	77,500	22,714	7,110	10.9	3.19
					SR049SA	49,500	14,508	4,670	10.6	3.11
			SR	SR061SA	61,500	18,025	5,490	11.2	3.28	
				SR073SA	70,000	20,516	6,570	10.7	3.12	
				SR081SA	78,000	22,860	7,220	10.8	3.17	

Note 1 : Figures in the table are subject to change without prior notice for performance improvement.

Note 2 :	Test condition	Condenser temperature	Evaporation temperature	Suction temperature	Sub cool
	ARI	54.4°C	7.2°C	18.3°C	8.3°C

Note 3 : LSS (Low Side Shell)

Cooling Capacity	Input	EER	COP	Dimension			
				Dimension		C	
				A	B		
Btu/hr	Watts	Watts	Btu/W.hr	W/W	A	B	C
-	-	-	-	-	404	381	273
-	-	-	-	-	404	381	273
-	-	-	-	-	404	381	273
-	-	-	-	-	445	421	315
-	-	-	-	-	445	421	315
-	-	-	-	-	445	421	315
-	-	-	-	-	445	421	315
-	-	-	-	-	445	421	315
-	-	-	-	-	467	438	330
-	-	-	-	-	467	438	330
-	-	-	-	-	467	438	330
-	-	-	-	-	467	438	330
-	-	-	-	-	467	438	330
-	-	-	-	-	467	438	330
-	-	-	-	-	467	438	330
-	-	-	-	-	467	438	330
-	-	-	-	-	467	438	330
-	-	-	-	-	467	438	330
-	-	-	-	-	467	438	330
-	-	-	-	-	467	438	330
-	-	-	-	-	467	438	330
-	-	-	-	-	467	438	330
-	-	-	-	-	467	438	330
-	-	-	-	-	467	438	330
-	-	-	-	-	467	438	330
-	-	-	-	-	467	438	330
-	-	-	-	-	467	438	330
-	-	-	-	-	467	438	330
-	-	-	-	-	467	438	330
-	-	-	-	-	467	438	330
-	-	-	-	-	467	438	330
-	-	-	-	-	467	438	330
-	-	-	-	-	467	438	330
-	-	-	-	-	467	438	330



Specification_ Constant speed_ 2nd Generation (R410A, LSS)

Special Application for Unitary

Refrigerant	Type	Frequency	Voltage	Series	Model	ARI				
						Cooling Capacity		Input	EER	COP
						Btu/hr	Watts	Watts	Btu/W.hr	W/W
R410A	LSS	60Hz	1Φ, 208-230V	APG	APG016KA	15,500	4,539	1,566	9.9	2.90
					APG020KA	20,000	5,856	1,961	10.2	2.99
					APG024KA	23,500	6,881	2,304	10.2	2.99
					APG025KA	25,000	7,320	2,500	10.0	2.93
					APG029KA	28,800	8,433	2,743	10.5	3.07
					APG031KA	30,800	9,019	2,906	10.6	3.10
				ABG	ABG034KA	34,500	10,104	3,286	10.5	3.1
					ABG036KA	36,000	10,544	3,429	10.5	3.1
					ABG038KA	37,500	10,983	3,538	10.6	3.1
					ABG039KA	39,000	11,422	3,679	10.6	3.1
					ABG042KA	42,000	12,301	3,962	10.6	3.1
					ABG049KA	49,400	14,468	4,574	10.8	3.2
					ABG051KA	51,000	14,937	4,722	10.8	3.2

Note 1 : Figures in the table are subject to change without prior notice for performance improvement.

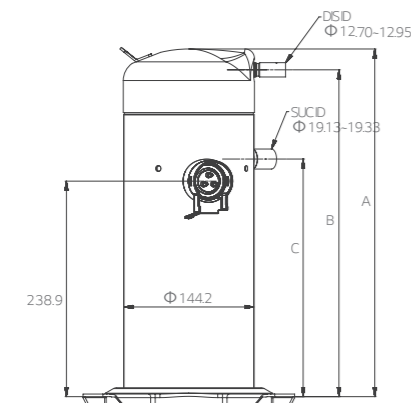
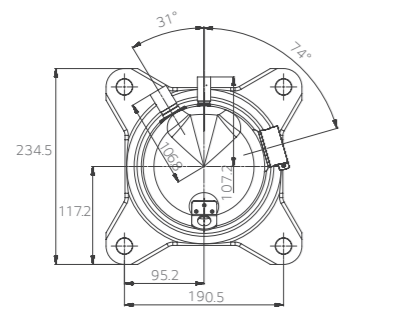
Note 2 :

Test condition	Condenser temperature	Evaporation temperature	Suction temperature	Sub cool
ARI	54.4°C	7.2°C	18.3°C	8.3°C
DOE B	37.8°C	10°C	18.3°C	8.3°C

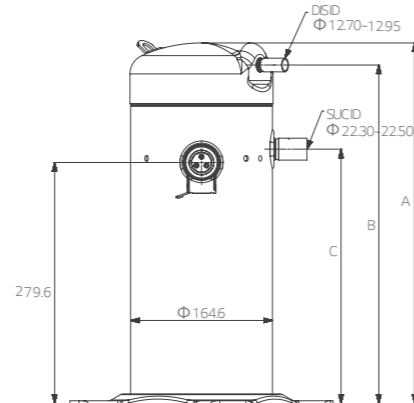
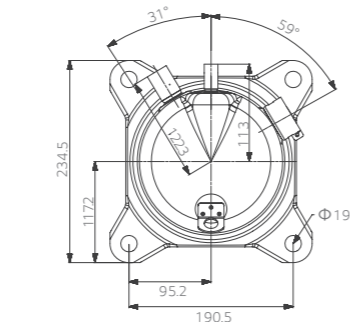
Note 3 : LSS (Low Side Shell)

DOE B					Dimension		
Cooling Capacity		Input	EER	COP	A	B	C
Btu/hr	Watts	Watts	Btu/W.hr	W/W			
21,500	6,295	1,034	20.8	6.09	263.4	363.3	386.4
27,500	8,052	1,291	21.3	6.24	263.4	363.3	386.4
32,500	9,516	1,526	21.3	6.24	263.4	363.3	386.4
34,500	10,102	1,620	21.3	6.24	263.4	363.3	386.4
39,600	11,595	1,792	22.1	6.47	263.4	363.3	386.4
42,800	12,532	1,937	22.1	6.47	263.4	363.3	386.4
46,900	13,736	2,181	21.5	6.3	419.32	393.72	295.12
49,000	14,351	2,279	21.5	6.3	419.32	393.72	295.12
51,000	14,937	2,350	21.7	6.4	419.32	393.72	295.12
53,000	15,522	2,442	21.7	6.4	419.32	393.72	295.12
57,100	16,723	2,631	21.7	6.4	419.32	393.72	295.12
66,800	19,564	3,064	21.8	6.4	419.32	393.72	295.12
69,500	20,355	3,188	21.8	6.4	419.32	393.72	295.12

APG



ABG



Specification_Inverter (R410A / LSS, HSS)

Refrigerant	Type	Series	Model	Power	ARI @ 60Hz				
					Cooling Capacity		Input	EER	COP
					Btu/hr	Watts	Watts	Btu/W.hr	W/W
R410A	LSS	APA	APA020DA	DC380V	20,300	5,950	2,010	10.1	2.96
			APA020MA	DC380V	20,300	5,950	2,030	10.0	2.93
			APA026DA	DC380V	25,000	7,327	2,475	10.1	2.96
		ABA	ABA042DB	DC380V	44,200	12,954	4,055	10.9	3.19
			ABA042MA	DC380V	44,200	12,954	4,131	10.7	3.14
			ABA051DA	DC380V	53,500	15,680	4,864	11.0	3.22
	HSS	JQA	JQA048MA	DC380V	49,500	14,508	4,305	11.5	3.37
			JQA048MB	DC220V	49,500	14,508	4,380	11.3	3.31
		JBA	JBA055DA	DC380V	56,500	16,559	5,380	10.5	3.08
			JBA068MA	DC380V	70,000	20,516	6,085	11.5	3.37
			JBA068MB	DC220V	70,000	20,516	6,250	11.2	3.28
		JBB	JBB055DA	DC380V	56,500	16,559	5,380	10.5	3.08
			JBB055DB	DC220V	56,500	16,559	5,380	10.5	3.08

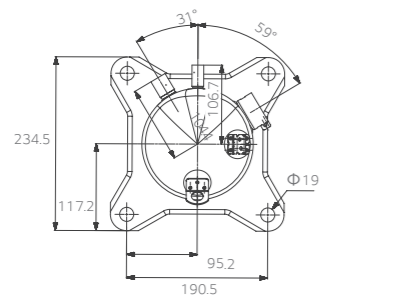
Note 1 : Figures in the table are subject to change without prior notice for performance improvement.

Test condition	Condenser temperature	Evaporation temperature	Suction temperature	Sub cool
ARI	54.4°C	7.2°C	18.3°C	8.3°C
CHEER	37.8°C	7.2°C	18.3°C	8.3°C

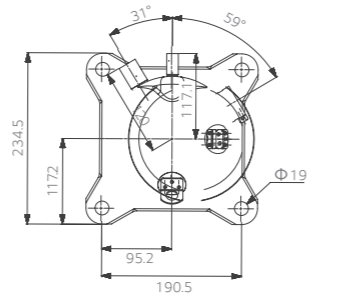
Note 3 : LSS (Low Side Shell) / HSS (High Side Shell)

CHEER @ 60Hz					Range	Dimension		
Cooling Capacity		Input	EER	COP		rpm	A	B
Btu/hr	Watts	Watts	Btu/W.hr	W/W				
24,700	7,239	1,280	19.3	5.66	20~100	406.6	379.2	249.7
24,700	7,239	1,293	19.1	5.60	20~100	406.6	379.2	249.7
31,000	9,086	1,566	19.8	5.80	20~100	406.6	379.2	249.7
31,000	9,086	1,598	19.4	5.69	20~100	406.6	379.2	249.7
53,500	15,680	2,716	19.7	5.77	20~100	449.1	415.8	296.9
53,500	15,680	2,758	19.4	5.69	20~100	449.1	415.8	296.9
64,500	18,904	3,241	19.9	5.83	20~100	449.1	415.8	296.9
64,500	18,904	3,274	19.7	5.77	20~100	449.1	415.8	296.9
59,800	17,514	2,915	20.5	6.01	15~150	490.4	427.6	351.4
59,500	17,426	2,915	20.4	5.98	15~150	490.4	427.6	
-	-	-	-	-	20~120	386.0	415.0	474.0
84,000	24,602	4,095	20.5	6.01	15~150	511.2	446.6	325.8
84,000	24,602	4,200	20.0	5.87	15~150	511.2	446.6	325.8
-	-	-	-	-	20~120	386.0	415.0	474.0
-	-	-	-	-	20~120	386.0	415.0	474.0

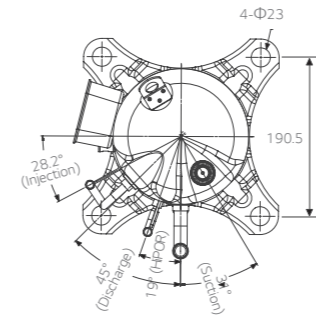
APA



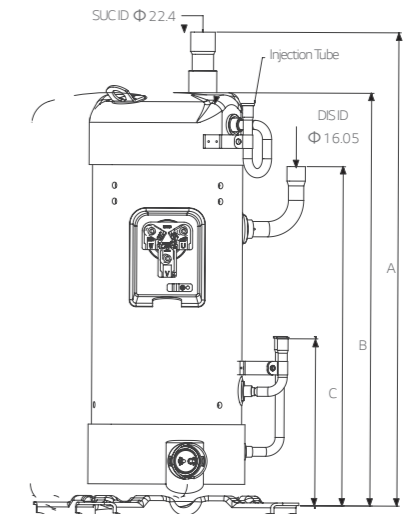
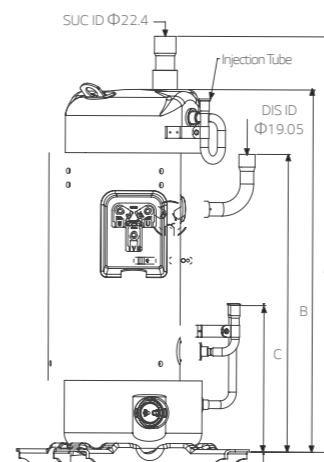
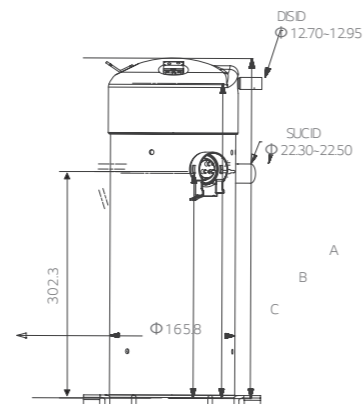
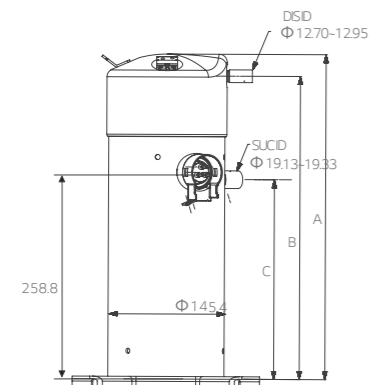
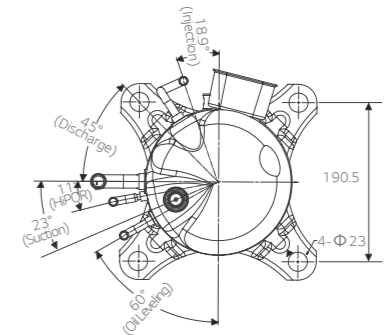
ABA



JQA



JBA

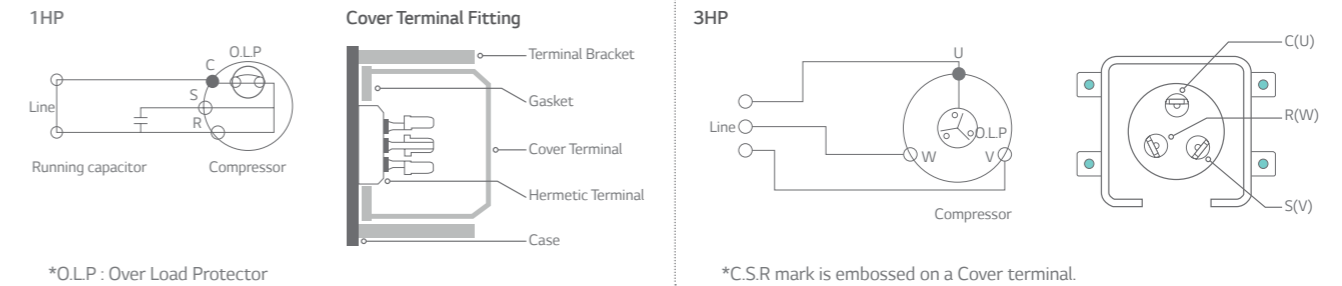


Unit : mm

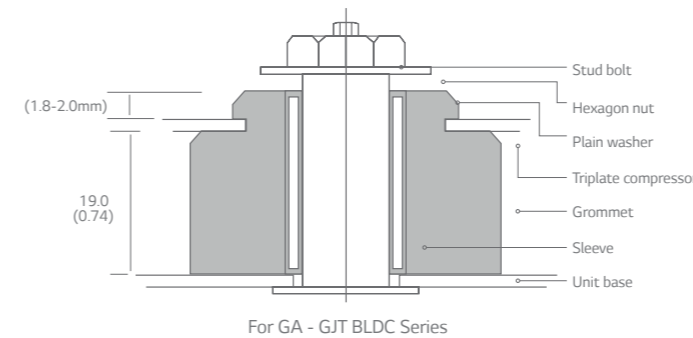
Specification_Drive

Contents		4kW Drive	6kW Drive
Drive	1 Model name (P/No.)	PDR040K010 / 020	PDR060K010 / 020
	2 Rated input voltage	1Φ, 208-230Vac, 50/60Hz	1Φ, 208-230Vac, 50/60Hz
	3 Maximum input current	18Arms	29Arms
	4 Maximum input power	4,000 W	6,000 W
	5 Operating compressor Hz	20 ~ 70Hz	20 ~ 70Hz
	6 Converter type / boost up voltage	PFC / 380Vdc	PFC / 380Vdc
	7 PFC ON/OFF Control	Based on Input power 900 / 600 W *1	Based on Input power 900 / 600 W *1
	8 Compressor connection color	Red (U) / Yellow (V) / Blue (W)	Red (U) / Yellow (V) / Blue (W)
	9 Ambient operating temperature	-20°C ~ 48°C	-20°C ~ 48°C
	10 Storage temperature	-40°C ~ 60°C	-40°C ~ 60°C
	11 Max. storage relative humidity	85%	85%
Contents		4kW Drive	6kW Drive
Reactor	1 Model name (P/No.)	PDR040K030	PDR060K030
	2 Rated input voltage	1Φ, 208-230Vac, 50/60Hz	1Φ, 208-230Vac, 50/60Hz
	3 Maximum input current	18Arms	29Arms
	4 Inductance at 20KHz, 1VAC (20°C)	200μH ± 15%	450μH Min
Contents		4kW Drive	6kW Drive
Noise filter	1 Model name (P/No.)	-	PDR060K040
	2 Rated input voltage	-	1Φ, 220-240Vac, 50/60Hz
	3 Maximum input current	-	29Arms
	4 Inductance at 1KHz, 1Vac (20°C)	-	4.03mH Min. (Synthetic inductance)

Wiring Diagram



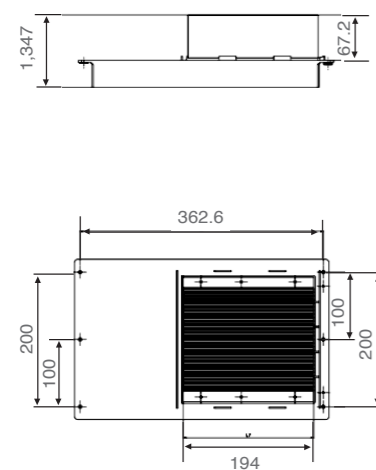
Mounting



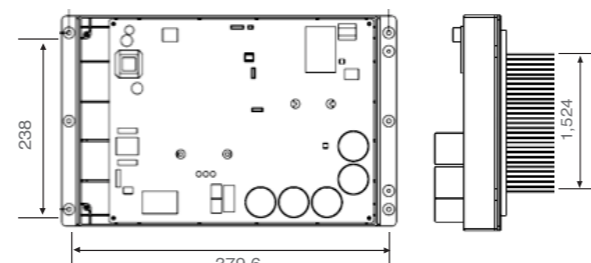
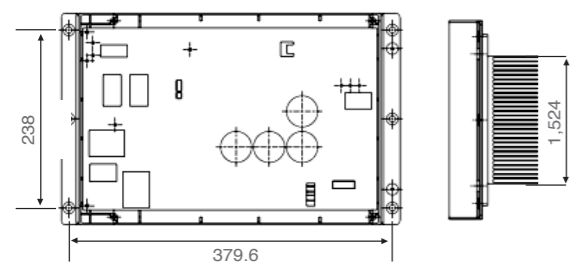
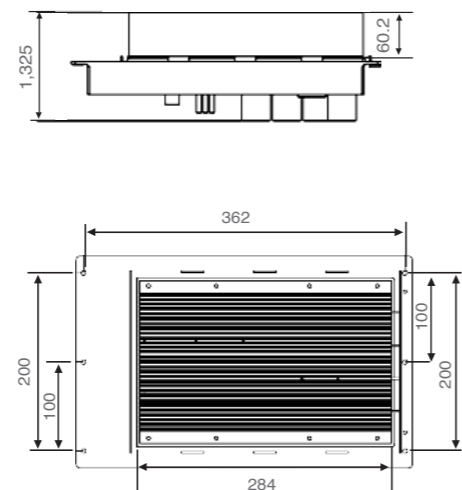
Accessory Part



4 kW Drive



6 kW Drive



Unit : mm

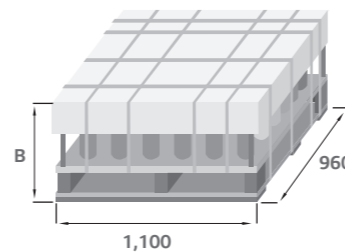
Packing & Container Stuffing Quantity

Items	1 Step pallet		2 Steps pallet		Packing quantity	1 Container (20ft)			
	Packing quantity	Size B	Packing quantity	Size B		Pallet quantity			
Series						Step 1	Step 2	Accessory	Total
APA / APB / APG	12	560	24	980 ↓	576	0	24	0	24
	16	560	32	980 ↓	640	0	20	0	20
AQA / AQ	12	560	24	980 ↓	576	0	24	0	24
	16	560	32	980 ↓	576	0	18	0	18
ABA / ABG	12	560	24	980 ↓	432	0	18	0	18
	16	560	32	980 ↓	448	0	14	0	18
SB	12	560	24	980 ↓	432	0	18	0	18
SQ / HQ	12	560	24	980 ↓	576	0	24	1	25
AR / SR	12	-	24	985 ↓	408	14	10	1	25
JB / JQ	9	-	18	985 ↓	315	35	-	1	36
AR / SR	12	-	24	985 ↑	408	14	10	1	25
JB / JQ	9	-	18	985 ↑	315	35	-	1	36

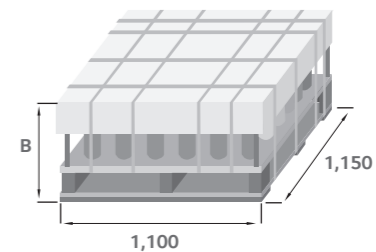
Note 1 : Only available 1 Step pallet for HSS.

Note 2 : Packing conditions are subjects to change without notice.

Packing quantity 12, 9



Packing quantity 16



Unit : mm



Global Network

Changwon Plant, Korea

Address 76 Seongsan-dong, Changwon City
Gyeongnam, 641-713, South Korea
Phone +82-55-269-3868
Fax +82-55-268-4896
E-mail compressor@lge.com
Website <http://partner.lge.com/us/index.lge>

Tianjin Plant, China

Address LG Electronics Tianjin appliances Co., Ltd
Xing Dian Rd. Bei Chen Dist, Tianjin,
China
Phone +86-22-2690-3309
+86-22-2690-3542

Rayong Plant, Thailand

Address LG Electronics(Thailand) Co., Ltd
192 Moo 1, Pluakdaeng Rd. Tambon
Tasith, Ampur Pluakdaeng,
Rayong 21140
Phone +66-038-923-105
+66-038-923-119

